

**PRO**  
PROFESSIONAL  
LED



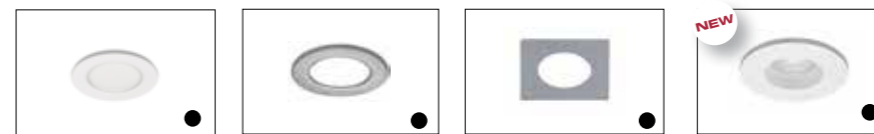
Watertight

**JISO**  
ILUMINACION  
SPAIN



## Watertight. IP65

Light Integrated LED P.80



55307 P.81 DC553 P.81 DC554 P.81 55906 P.83



53505 P.85 53510 P.86 53515 P.87



53522 P.88 53533 P.89 53530 P.90 53540 P.91



53710 P.92 53724 P.93

Light Without Technology P.94



106D P.94 107D P.95

Available ● Black/Negro/Noir



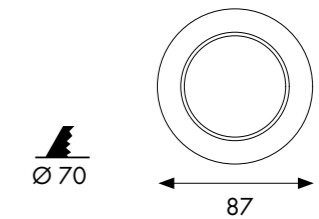
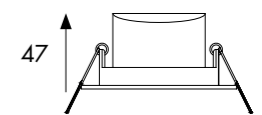
Dimm Trailing Edge

CCT Switch  
2700K-300K-4000K



55307

Downlight LED Estanto  
Downlight LED Watertight  
Downlight LED Étanche



Plástico ABS  
Plastique ABS



RT2012  
ACCES. DC553



IP65

Compatible lighting with installations that require UGR<19



55307-90



55307-01



55307-04



55307-11



55307-12



▼ Accessories not included



DC553 - RT2012

Trim to cover hole



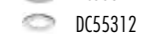
DC55301



DC55304



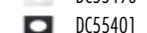
DC55311



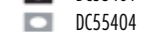
DC55312



DC55490



DC55401



DC55404



DC55411



DC55412

Emergency Kit

1EH-3 TCI 1 h

1EH-4 TCI 3 h

553 07 - 19 8 0 - 90

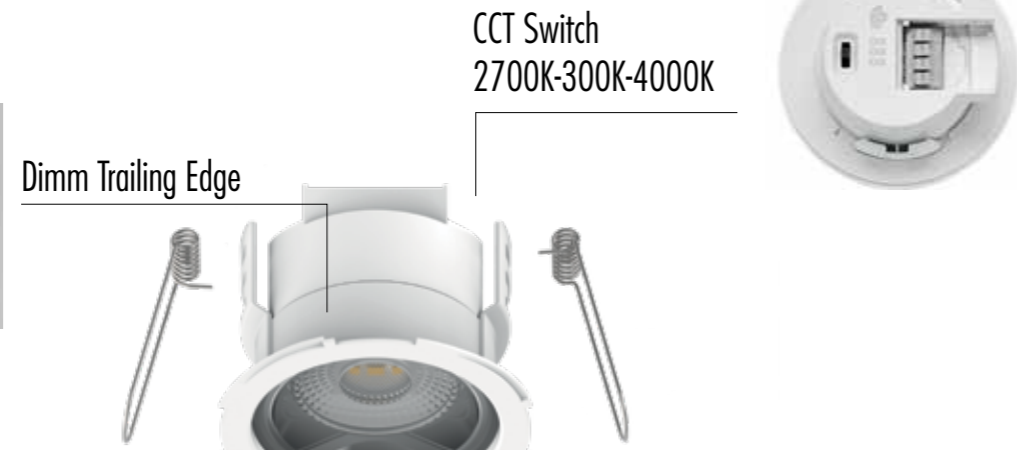
1 2 3 4 5 6

1 - Model	2 - W	3 - Driver	4 - Brand Chip	5 - K	6 - Color
553	7	19 - Trailing Edge AC220-240V PF >0,7 Integrated Driver	8 - Sanan	0 - CCT Switch ■ 2700 522 Lm System 840 Lm Source ■ 3000 574 Lm System 840 Lm Source ■ 4000 543 Lm System 840 Lm Source	90 T. White / Blanco T. / Blanc T.

LED CHIP: SMD 2835 - CRI>80 - L70 / 25.000H - 120 lm/W (4000K) - RG1



The above information is basic. For updated and more accurate information, please consult Technical Data Sheet on [www.jisoiluminacion.com](http://www.jisoiluminacion.com)  
Consult general issues - [www.jisoiluminacion.com](http://www.jisoiluminacion.com) (Download - Technical Information)  
Consult Instructions Emergency kit on [www.jisoiluminacion.com](http://www.jisoiluminacion.com)  
Consult instructions to Driver dimmable Trailing Edge, 1-10V, DALI and Push - [www.jisoiluminacion.com](http://www.jisoiluminacion.com) (Download - Technical Information)



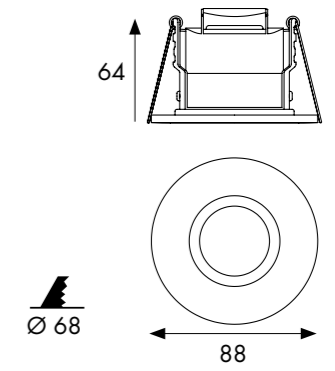
55906-90

55906-01

55906-12

# 55906

Downlight LED Estando  
Downlight LED Watertight  
Downlight LED Étanche



## 559 06 - 19 9 0 - 90

1 - Model	2 - W	3 - Driver	4 - Brand Chip	5 - K	6 - Color
559	6	19 - Trailing Edge AC220-240V PF >0,8 Integrated Driver	9 - Everlight	0 - CCT Switch ■ 2700 457 Lm System 675 Lm Source ■ 3000 541 Lm System 702 Lm Source ■ 4000 517 Lm System 729 Lm Source	90 T. White / Blanco T. / Blanc T.

- ▼ Accessories not included
- Trim
  - DC55906-01
  - DC55906-11
  - DC55906-12
  - Emergency Kit
  - 1EH-3 TCI 1 h
  - 1EH-4 TCI 3 h

LED CHIP: SMD 2835 - CRI>80 - L70 / 30.000H - 135 lm/W (4000K) - RG0

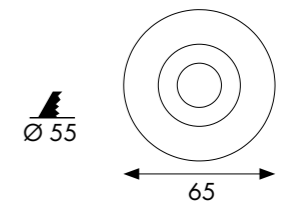
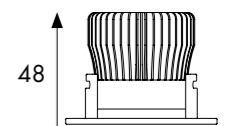


The above information is basic. For updated and more accurate information, please consult Technical Data Sheet on [www.jisoiluminacion.com](http://www.jisoiluminacion.com)  
Consult general issues - [www.jisoiluminacion.com](http://www.jisoiluminacion.com) (Download - Technical Information)  
Consult Instructions Emergency kit on [www.jisoiluminacion.com](http://www.jisoiluminacion.com)



## 53505

Downlight LED Estanco  
Downlight LED Watertight  
Downlight LED Étanche



### 535 05 - 21 5 4 - 90

1 - Model	2 - W	3 - Driver	4 - Brand Chip	5 - K	6 - Color
535	5	21 - ON-OFF AC220-240V PF >0,5	5 - Edison	3 - ■ 3000 501 Lm System 661 Lm Source 4 - ■ 4000 526 Lm System 675 Lm Source	90 T. White / Blanco T. / Blanc T.

LED CHIP: COB - CRI>80 - L70B10 / 50.000H - 135 lm/W (4000K) - RG1

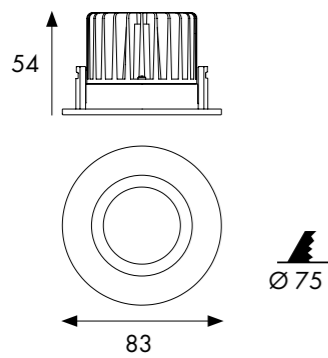


The above information is basic. For updated and more accurate information, please consult Technical Data Sheet on [www.jisoiluminacion.com](http://www.jisoiluminacion.com)  
Consult general issues - [www.jisoiluminacion.com](http://www.jisoiluminacion.com) (Download - Technical Information)



53510

Downlight LED Estanco  
Downlight LED Watertight  
Downlight LED Étanche



NEW

535 10 - 21 5 4 - 90  
1 2 3 4 5 6

1 - Model	2 - W	3 - Driver	4 - Brand Chip	5 - K	6 - Color
535	10	<ul style="list-style-type: none"> <li>21 - ON-OFF AC220-240V PF &gt;0,5</li> <li>23 - ON-OFF AC220-240V PF &gt;0,9</li> <li>37 - 1-10V AC200-240V PF &gt;0,95</li> <li>51 - Trailing Edge AC220-240V PF &gt;0,95</li> <li>D7 - DALI/PUSH AC200-240V PF &gt;0,95</li> <li>SMART CONTROL See Page. 72</li> </ul>	5 - Edison	<ul style="list-style-type: none"> <li>3 - 3000 755 Lm System 1353 Lm Source</li> <li>4 - 4000 793 Lm System 1381 Lm Source</li> </ul>	90 T. White / Blanco T. / Blanc T.

▼ Accessories not included

Emergency Kit		
2DCLEDK1	TCl	1 h
2DCLEDK2	TCl	3 h

LED CHIP: COB - CRI>80 - L70B10 / 50.000H - 138 lm/W (4000K) - RG1



The above information is basic. For updated and more accurate information, please consult Technical Data Sheet on [www.jisoiluminacion.com](http://www.jisoiluminacion.com)  
 Consult general issues - [www.jisoiluminacion.com](http://www.jisoiluminacion.com) (Download - Technical Information)  
 Consult Instructions Emergency kit on [www.jisoiluminacion.com](http://www.jisoiluminacion.com)  
 Consult instructions to Driver configuration - page 422  
 Consult instructions to Driver dimmable Trailing Edge, 1-10V, DALI and Push - [www.jisoiluminacion.com](http://www.jisoiluminacion.com) (Download - Technical Information)  
 Consult instructions to Driver dimmable Smart Control - page 72

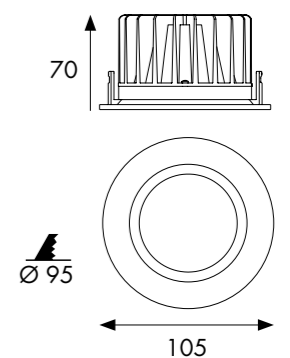


53515

Downlight LED Estanco  
Downlight LED Watertight  
Downlight LED Étanche



NEW



535 15 - 21 5 4 - 90  
1 2 3 4 5 6

1 - Model	2 - W	3 - Driver	4 - Brand Chip	5 - K	6 - Color
535	15	<ul style="list-style-type: none"> <li>21 - ON-OFF AC220-240V PF &gt;0,9</li> <li>23 - ON-OFF AC220-240V PF &gt;0,95</li> <li>47 - 1-10V/DALI/PUSH AC200-240V PF &gt;0,95</li> <li>51 - Trailing Edge AC220-240V PF &gt;0,9</li> <li>SMART CONTROL See Page. 72</li> </ul>	5 - Edison	<ul style="list-style-type: none"> <li>3 - 3000 1261 Lm System 1719 Lm Source</li> <li>4 - 4000 1323 Lm System 1753 Lm Source</li> </ul>	90 T. White / Blanco T. / Blanc T.

▼ Accessories not included

Emergency Kit		
2DCLEDK1	TCl	1 h
2DCLEDK2	TCl	3 h

LED CHIP: COB - CRI>80 - L70B10 / 50.000H - 117 lm/W (4000K) - RG1

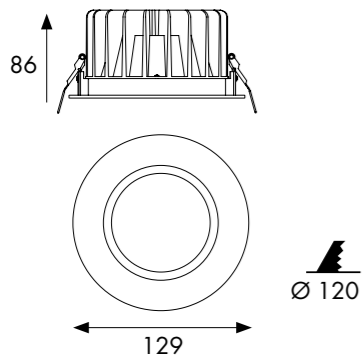


The above information is basic. For updated and more accurate information, please consult Technical Data Sheet on [www.jisoiluminacion.com](http://www.jisoiluminacion.com)  
 Consult general issues - [www.jisoiluminacion.com](http://www.jisoiluminacion.com) (Download - Technical Information)  
 Consult Instructions Emergency kit on [www.jisoiluminacion.com](http://www.jisoiluminacion.com)  
 Consult instructions to Driver configuration - page 422  
 Consult instructions to Driver dimmable Trailing Edge, 1-10V, DALI and Push - [www.jisoiluminacion.com](http://www.jisoiluminacion.com) (Download - Technical Information)  
 Consult instructions to Driver dimmable Smart Control - page 72



53522

Downlight LED Estando  
Downlight LED Watertight  
Downlight LED Étanche



NEW

535 22 - 21 5 4 - 90  
1 2 3 4 5 6

1 - Model	2 - W	3 - Driver	4 - Brand Chip	5 - K	6 - Color
535	22	<ul style="list-style-type: none"> <li>21 - ON-OFF AC220-240V PF &gt;0,9</li> <li>23 - ON-OFF AC220-240V PF &gt;0,95</li> <li>47 - 1-10V/DALI/PUSH AC200-240V PF &gt;0,95</li> <li>51 - Trailing Edge AC220-240V PF &gt;0,9</li> <li>SMART CONTROL See Page. 72</li> </ul>	5 - Edison	<ul style="list-style-type: none"> <li>3 - 3000 2143 Lm System 2544 Lm Source</li> <li>4 - 4000 2250 Lm System 2600 Lm Source</li> </ul>	90 T. White / Blanco T. / Blanc T.

▼ Accessories not included

Emergency Kit		
2DCLEDK1	TCl	1 h
2DCLEDK2	TCl	3 h

LED CHIP: COB - CRI>80 - L70B10 / 50.000H - 118 lm/W (4000K) - RG0



The above information is basic. For updated and more accurate information, please consult Technical Data Sheet on [www.jisoiluminacion.com](http://www.jisoiluminacion.com)  
 Consult general issues - [www.jisoiluminacion.com](http://www.jisoiluminacion.com) (Download - Technical Information)  
 Consult Instructions Emergency kit on [www.jisoiluminacion.com](http://www.jisoiluminacion.com)  
 Consult instructions to Driver configuration - page 422  
 Consult instructions to Driver dimmable Trailing Edge, 1-10V, DALI and Push - [www.jisoiluminacion.com](http://www.jisoiluminacion.com) (Download - Technical Information)  
 Consult instructions to Driver dimmable Smart Control - page 72

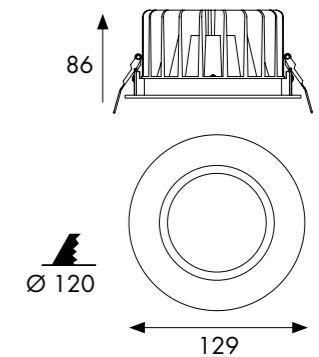


53533

Downlight LED Estando  
Downlight LED Watertight  
Downlight LED Étanche



NEW



535 33 - 21 5 4 - 90  
1 2 3 4 5 6

1 - Model	2 - W	3 - Driver	4 - Brand Chip	5 - K	6 - Color
535	33	<ul style="list-style-type: none"> <li>21 - ON-OFF AC220-240V PF &gt;0,95</li> <li>23 - ON-OFF AC220-240V PF &gt;0,95</li> <li>47 - 1-10V/DALI/PUSH AC200-240V PF &gt;0,95</li> <li>51 - Trailing Edge AC220-240V PF &gt;0,9</li> <li>SMART CONTROL See Page. 72</li> </ul>	5 - Edison	<ul style="list-style-type: none"> <li>3 - 3000 3000 Lm System 3562 Lm Source</li> <li>4 - 4000 3150 Lm System 3640 Lm Source</li> </ul>	90 T. White / Blanco T. / Blanc T.

▼ Accessories not included

Emergency Kit		
2DCLEDK1	TCl	1 h
2DCLEDK2	TCl	3 h

LED CHIP: COB - CRI>80 - L70B10 / 50.000H - 121 lm/W (4000K) - RG0

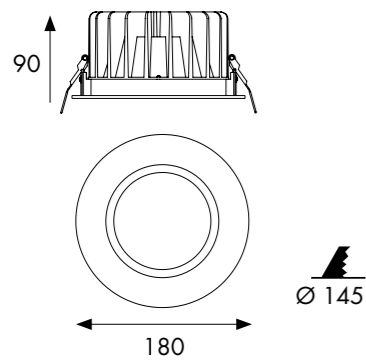


The above information is basic. For updated and more accurate information, please consult Technical Data Sheet on [www.jisoiluminacion.com](http://www.jisoiluminacion.com)  
 Consult general issues - [www.jisoiluminacion.com](http://www.jisoiluminacion.com) (Download - Technical Information)  
 Consult Instructions Emergency kit on [www.jisoiluminacion.com](http://www.jisoiluminacion.com)  
 Consult instructions to Driver configuration - page 422  
 Consult instructions to Driver dimmable Trailing Edge, 1-10V, DALI and Push - [www.jisoiluminacion.com](http://www.jisoiluminacion.com) (Download - Technical Information)  
 Consult instructions to Driver dimmable Smart Control - page 72



53530

Downlight LED Estanco  
Downlight LED Watertight  
Downlight LED Étanche



NEW

535 30 - 21 5 4 - 90  
1 2 3 4 5 6

1 - Model	2 - W	3 - Driver	4 - Brand Chip	5 - K	6 - Color
535	30	<ul style="list-style-type: none"> <li>⏻ 21 - ON-OFF AC220-240V PF &gt;0,95</li> <li>⏻ 23 - ON-OFF AC220-240V PF &gt;0,95</li> <li>▲ 47 - 1-10V/DALI/PUSH AC200-240V PF &gt;0,95</li> <li>▲ 51 - Trailing Edge AC220-240V PF &gt;0,9</li> <li>▲ SMART CONTROL See Page. 72</li> </ul>	5 - Edison	4 - ■ 4000 3007 Lm System 4021 Lm Source	90 T. White / Blanco T. / Blanc T.

▼ Accessories not included

Emergency Kit		
2DCLEDK1	TCI	1 h
2DCLEDK2	TCI	3 h

LED CHIP: COB - CRI>80 - L70B10 / 50.000H - 134 lm/W (4000K) - RG0



The above information is basic. For updated and more accurate information, please consult Technical Data Sheet on [www.jisoiluminacion.com](http://www.jisoiluminacion.com)  
 Consult general issues - [www.jisoiluminacion.com](http://www.jisoiluminacion.com) (Download - Technical Information)  
 Consult Instructions Emergency kit on [www.jisoiluminacion.com](http://www.jisoiluminacion.com)  
 Consult instructions to Driver configuration - page 422  
 Consult instructions to Driver dimmable Trailing Edge, 1-10V, DALI and Push - [www.jisoiluminacion.com](http://www.jisoiluminacion.com) (Download - Technical Information)  
 Consult instructions to Driver dimmable Smart Control - page 72

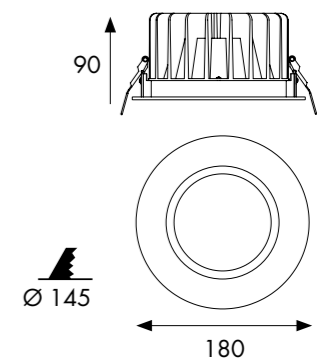


53540

Downlight LED Estanco  
Downlight LED Watertight  
Downlight LED Étanche



NEW



535 40 - 21 5 4 - 90  
1 2 3 4 5 6

1 - Model	2 - W	3 - Driver	4 - Brand Chip	5 - K	6 - Color
535	40	<ul style="list-style-type: none"> <li>⏻ 21 - ON-OFF AC220-240V PF &gt;0,95</li> <li>⏻ 23 - ON-OFF AC220-240V PF &gt;0,95</li> <li>▲ 37 - 1-10V AC200-240V PF &gt;0,95</li> <li>▲ 51 - Trailing Edge AC220-240V PF &gt;0,9</li> <li>▲ D7 - DALI/PUSH AC200-240V PF &gt;0,95</li> <li>▲ SMART CONTROL See Page. 72</li> </ul>	5 - Edison	4 - ■ 4000 4007 Lm System 5744 Lm Source	90 T. White / Blanco T. / Blanc T.

▼ Accessories not included

Emergency Kit		
2DCLEDK1	TCI	1 h
2DCLEDK2	TCI	3 h

LED CHIP: COB - CRI>80 - L70B10 / 50.000H - 144 lm/W (4000K) - RG0



The above information is basic. For updated and more accurate information, please consult Technical Data Sheet on [www.jisoiluminacion.com](http://www.jisoiluminacion.com)  
 Consult general issues - [www.jisoiluminacion.com](http://www.jisoiluminacion.com) (Download - Technical Information)  
 Consult Instructions Emergency kit on [www.jisoiluminacion.com](http://www.jisoiluminacion.com)  
 Consult instructions to Driver configuration - page 422  
 Consult instructions to Driver dimmable Trailing Edge, 1-10V, DALI and Push - [www.jisoiluminacion.com](http://www.jisoiluminacion.com) (Download - Technical Information)  
 Consult instructions to Driver dimmable Smart Control - page 72



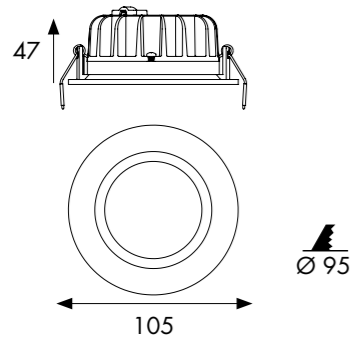


53710

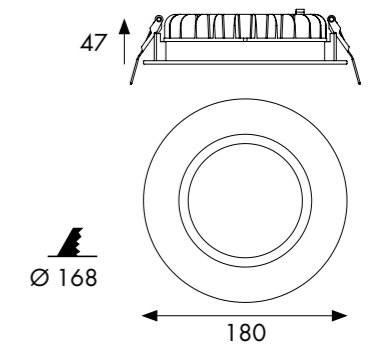
Downlight LED Estanco  
Downlight LED Watertight  
Downlight LED Étanche

53724

Downlight LED Estanco  
Downlight LED Watertight  
Downlight LED Étanche



**NEW**



**NEW**

537 10 - 21 8 4 - 90  
1 2 3 4 5 6

1 - Model	2 - W	3 - Driver	4 - Brand Chip	5 - K	6 - Color
537	10	<ul style="list-style-type: none"> <li>21 - ON-OFF AC220-240V PF &gt;0,5</li> <li>23 - ON-OFF AC220-240V PF &gt;0,9</li> <li>37 - 1-10V AC200-240V PF &gt;0,95</li> <li>51 - Trailing Edge AC220-240V PF &gt;0,9</li> <li>47 - DALI/PUSH AC200-240V PF &gt;0,9</li> <li>SMART CONTROL See Page. 72</li> </ul>	8 - Sanan	<ul style="list-style-type: none"> <li>3 - 3000 873 Lm System 1080 Lm Source</li> <li>4 - 4000 922 Lm System 1080 Lm Source</li> </ul>	90 T. White / Blanco T. / Blanc T.

▼ Accessories not included

Emergency Kit		
2DCLEDK1	TCI	1 h
2DCLEDK2	TCI	3 h

LED CHIP: SMD 2835 - CRI>80 - L70B10/50.000H - 120 lm/W (4000K) - RG1



The above information is basic. For updated and more accurate information, please consult Technical Data Sheet on [www.jisoiluminacion.com](http://www.jisoiluminacion.com)  
 Consult general issues - [www.jisoiluminacion.com](http://www.jisoiluminacion.com) (Download - Technical Information)  
 Consult Instructions Emergency kit on [www.jisoiluminacion.com](http://www.jisoiluminacion.com)  
 Consult instructions to Driver configuration - page 422  
 Consult instructions to Driver dimmable Trailing Edge, 1-10V, DALI and Push - [www.jisoiluminacion.com](http://www.jisoiluminacion.com) (Download - Technical Information)  
 Consult instructions to Driver dimmable Smart Control - page 72

537 24 - 21 8 4 - 90  
1 2 3 4 5 6

1 - Model	2 - W	3 - Driver	4 - Brand Chip	5 - K	6 - Color
537	24	<ul style="list-style-type: none"> <li>21 - ON-OFF AC220-240V PF &gt;0,9</li> <li>23 - ON-OFF AC220-240V PF &gt;0,95</li> <li>47 - DALI/PUSH AC200-240V PF &gt;0,95</li> <li>51 - Trailing Edge AC220-240V PF &gt;0,9</li> <li>SMART CONTROL See Page. 72</li> </ul>	8 - Sanan	<ul style="list-style-type: none"> <li>3 - 3000 2201 Lm System 2916 Lm Source</li> <li>4 - 4000 2217 Lm System 2916 Lm Source</li> </ul>	90 T. White / Blanco T. / Blanc T.

▼ Accessories not included

Emergency Kit		
2DCLEDK1	TCI	1 h
2DCLEDK2	TCI	3 h

LED CHIP: SMD 2835 - CRI>80 - L70B10 / 50.000H - 120 lm/W (4000K) - RG1

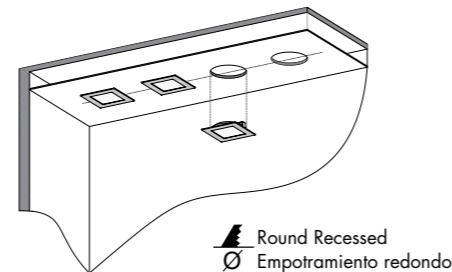
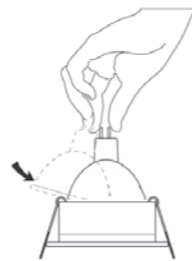
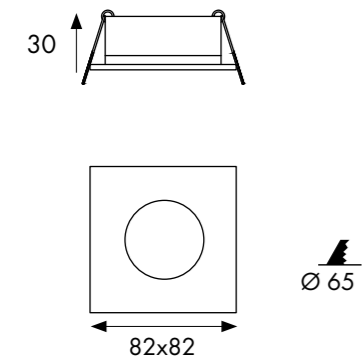


The above information is basic. For updated and more accurate information, please consult Technical Data Sheet on [www.jisoiluminacion.com](http://www.jisoiluminacion.com)  
 Consult general issues - [www.jisoiluminacion.com](http://www.jisoiluminacion.com) (Download - Technical Information)  
 Consult Instructions Emergency kit on [www.jisoiluminacion.com](http://www.jisoiluminacion.com)  
 Consult instructions to Driver configuration - page 422  
 Consult instructions to Driver dimmable Trailing Edge, 1-10V, DALI and Push - [www.jisoiluminacion.com](http://www.jisoiluminacion.com) (Download - Technical Information)  
 Consult instructions to Driver dimmable Smart Control - page 72



### 106D

Empotrable Estanco  
Recessed Watertight Spotlight  
Encastré Étanche



### 106D - 90

1 - Model	5 - Color
106D	05 Inox 90 Tec. White / Blanco Téc. / Blanc Tech.

▼ Optional

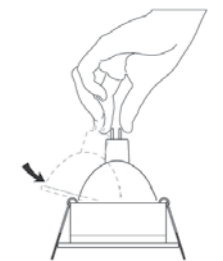
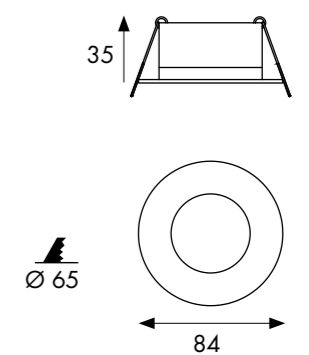
LED Module COB (page 376)	LED Module SMD (page 375)	Lampholder (page 378)
HLX08-2152 2700K 828Lm HLX08-2153 3000K 849Lm HLX08-2154 4000K 891Lm	HLP06-1990 CCT Switch 3000K 432Lm 4000K 467Lm	1PHG GU-10 100-240V 1PHB GU-10/GZ-10 100-240V 1DH1 Fast Safety connector 1DH3 GU-10 Safety distancing
HLX12-2152 2700K 1207Lm HLX12-2153 3000K 1238Lm HLX12-2154 4000K 1300Lm HLHLX-01 Honeycomb Acc.	<b>Bulb LED GU-10 (page 374)</b> 1LHG-300 CCT Switch 3000K 452Lm 4000K 478Lm	



The above information is basic. For updated and more accurate information, please consult Technical Data Sheet on [www.jisoiluminacion.com](http://www.jisoiluminacion.com)

### 107D

Empotrable Estanco  
Recessed Watertight Spotlight  
Encastré Étanche



### 107D - 90

1 - Model	5 - Color
107D	05 Inox 90 Tec. White / Blanco Téc. / Blanc Tech.

▼ Optional

LED Module COB (page 376)	LED Module SMD (page 375)	Lampholder (page 378)
HLX08-2152 2700K 828Lm HLX08-2153 3000K 849Lm HLX08-2154 4000K 891Lm	HLP06-1990 CCT Switch 3000K 432Lm 4000K 467Lm	1PHG GU-10 100-240V 1PHB GU-10/GZ-10 100-240V 1DH1 Fast Safety connector 1DH3 GU-10 Safety distancing
HLX12-2152 2700K 1207Lm HLX12-2153 3000K 1238Lm HLX12-2154 4000K 1300Lm HLHLX-01 Honeycomb Acc.	<b>Bulb LED GU-10 (page 374)</b> 1LHG-300 CCT Switch 3000K 452Lm 4000K 478Lm	



The above information is basic. For updated and more accurate information, please consult Technical Data Sheet on [www.jisoiluminacion.com](http://www.jisoiluminacion.com)

# JISO ILUMINACIÓN, S.L.

C/ Fuente Corachán, nº 223 (P.I. La Pahlilla)  
Apartado de Correos 116. 46370 Chiva – Valencia – Spain  
[www.jisoiluminacion.com](http://www.jisoiluminacion.com)



## ESPAÑA

Tel.: 962523061 (Ext. 1)  
[soporte@jisoiluminacion.com](mailto:soporte@jisoiluminacion.com)

## PORTUGAL

Mateli (Eduardo Queirós)  
916 984 050  
[comercial@mateli.pt](mailto:comercial@mateli.pt)  
[ventas@jisoiluminacion.com](mailto:ventas@jisoiluminacion.com)

## FRANCE

Tel.: +34 962523061 (Ext. 2)  
[orders@jisoiluminacion.com](mailto:orders@jisoiluminacion.com)

## EXPORT

Tel.: +34 962523061 (Ext. 3)  
[export@jisoiluminacion.com](mailto:export@jisoiluminacion.com)