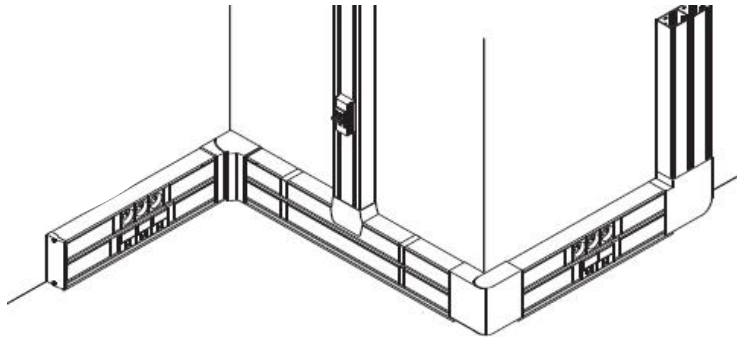


DLP-S Trunking

Number(s) : 6 038 57, 6 117 88/89, 6 380 00/01/05, 6 380 08, 6 380 11 to 13, 6 380 17 to 36, 6 380 38, 6 380 40 to 56, 6 380 71/72/73



1. USE

DLP-S trunking offers:

- the distribution, the protection and the derivation of the various cables in an electrical installation.
- trunkings, finishing accessories (end, joint of lid, joint of body, interior angle, exterior angle, flat angle, derivation)
- all the easy ways/advantages for the installation.
- comply with the standard EN 50085-2-1, safety and technical performance.
- a flexibility with the installation and maintenance:

5 references of trunkings delivered with a cover of 45/75mm:

Note that we have 2 types of trunking:

Trunking with cover 45mm is a "Snap-on trunking"
 Trunking with cover 75mm is a "Universal trunking"

This new trunking will allow the universal direct clips of all the mechanisms 45x45 of the market

Perforation of the body of the trunking.

Fixing by:

- wall plugs for immediate fixing (without screw nor nail ref. 30899)
- DLP rapid wall plug ref 0 308 97 (for 10mm maxi plasterboard walls at least 20mm away from the concrete surface)
- screw, nails...

Cut out using a saw (standard hacksaw)

Possibility of adapting separation partition.

2. RANGE

■ 2.1 DLP-S Trunking

2.1.1 Snap-on DLP-S trunking

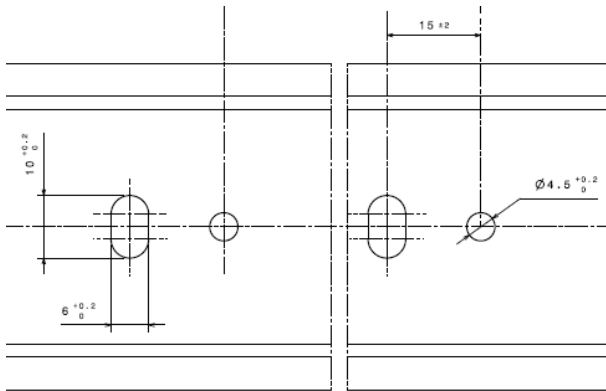
| Compartments nr | Cover width (mm) | Sections (mm) | Numbers |
|-----------------|------------------|---------------|----------|
| 1 | 45 | 85 x 50 | 6 380 20 |
| | | 100 x 50 | 6 380 30 |
| 2 | | 130 x 50 | 6 380 40 |

2.1.2 Universal DLP-S trunking

| Compartments nr | Cover width (mm) | Sections (mm) | Numbers |
|-----------------|------------------|---------------|----------|
| 1 | 75 | 100 x 50 | 6 380 38 |
| 2 | | 190 x 50 | 6 380 50 |

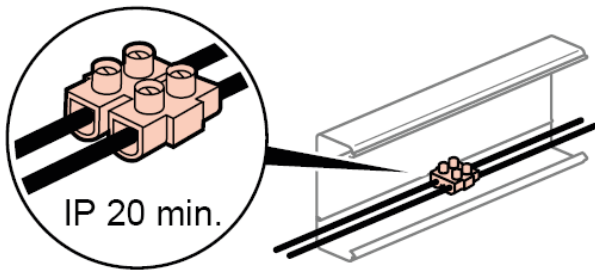
2. RANGE (cont.)

Dimensions of holes in funds of the bodies



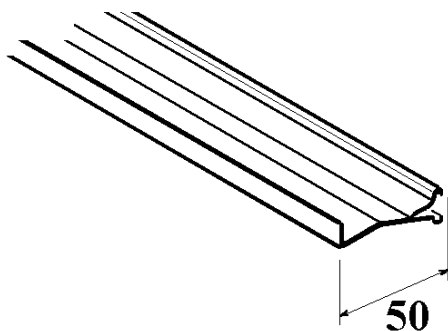
Funds of the bodies provided with holes for fixing, facilitating the upgrade of the trunking (balance/slope)

Attention with use of conductors inside the sections



Inside the trunkings, connection of the conductors using "domino" to respect the IP 20 mini.

2.1.3 PVC partition nr 6 380 08



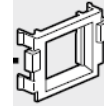
Delivered in length of 2m
Grey Color.

For the separation of various types of currents allows (sector, telephone, data processing...)
Assembly with the body by clip-on (only on trunking 85x50 -100x50 and 190x50)

2. RANGE (cont.)

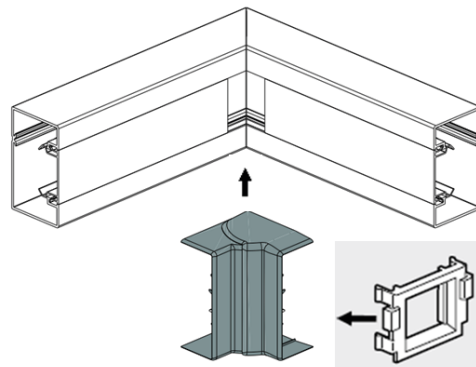
■ 2.2 Finishing accessories for snap-on & universal DLP-S trunking

To install accessories below with universal trunking 100x50 ref 6 380 38, please use the adaptor delivered with accessories



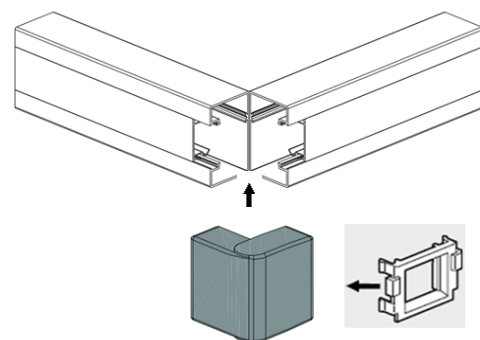
Example with internal angle:

To use with an 100x50 ref 6 380 38, please use the adaptor (delivered with internal angle) for mounting the angle



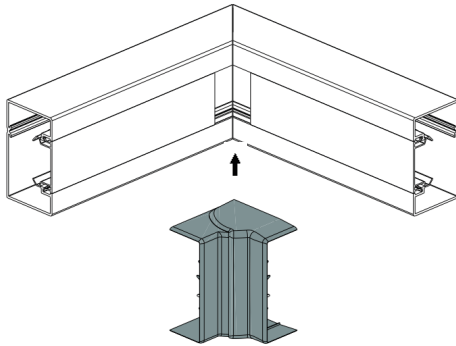
Example with External angle:

To use with an 100x50 ref 6 380 38, please use the adaptor (delivered with External angle) for mounting the angle:



2. RANGE (cont.)

2.2.1 Variable & non-variable internal angle



Enables the junction in internal angle of two pieces of the same section:

- respects the degree protection
- improves aesthetics (covering of the cut)

2 types of angles :

- variable internal angles from 80 to 120°
- non variable: 90°

White color

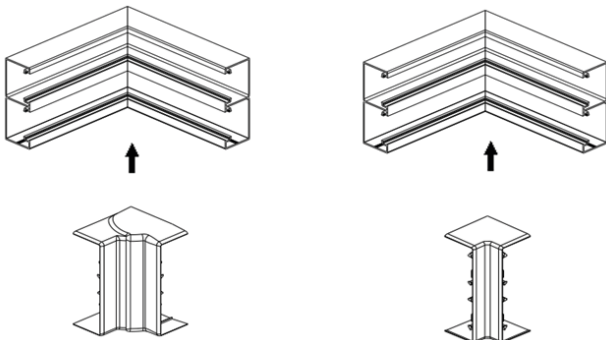
Clip-on on the body

Note: For DLP 100x50 Universal trunking nr 6 380 38, use the special adaptor (please look at page 2)

Trunking positioning:

variable angle

non-variable angle

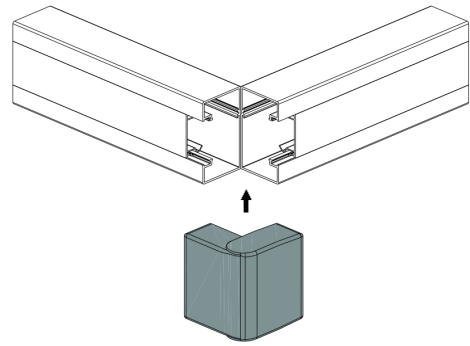


| Snap-on Trunkings | | | |
|-------------------|--------|--------------|--------|
| variable | | non variable | |
| 6 380 21 | 85x50 | 6 380 27 | 85x50 |
| 6 380 31 | 100x50 | 6 380 17 | 100x50 |
| 6 380 41 | 130x50 | 6 380 47 | 130x50 |

| Universal Trunkings | | | |
|---------------------|--------|--------------|--------|
| variable | | non variable | |
| 6 380 31 | 100x50 | 6 380 11 | 100x50 |
| 6 380 51 | 190x50 | - | - |

2. RANGE (cont.)

2.2.2 Variable & non variable external angle



Enables the junction in external angle of two pieces of the same section:

- respects the degree protection
- improves aesthetics (covering of the cut)

2 types of angles :

- variable external angles from 60 to 120°
- non variable: 90°

White color

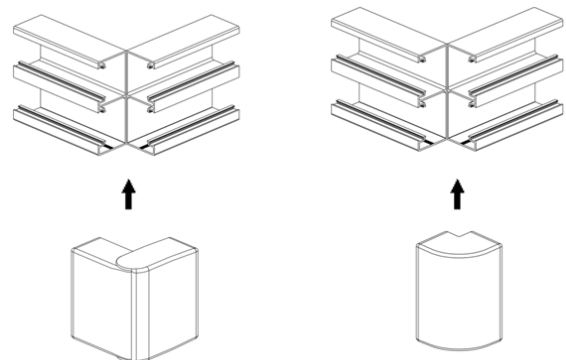
Clip-on on the body

Note: For DLP 100x50 Universal trunking nr 6 380 38, use the special adaptor (please look at page 2)

Trunking positioning:

variable angle

non-variable angle

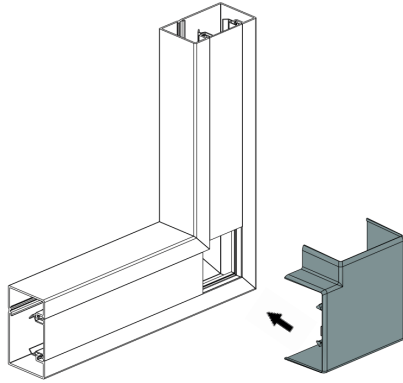


| Snap-on Trunkings | | | |
|-------------------|--------|--------------|--------|
| variable | | non variable | |
| 6 380 22 | 85x50 | 6 380 28 | 85x50 |
| 6 380 32 | 100x50 | 6 380 18 | 100x50 |
| 6 380 42 | 130x50 | 6 380 48 | 130x50 |

| Universal Trunkings | | | |
|---------------------|--------|--------------|--------|
| variable | | non variable | |
| 6 380 32 | 100x50 | 6 380 12 | 100x50 |
| 6 380 52 | 190x50 | - | - |

2. RANGE (cont.)

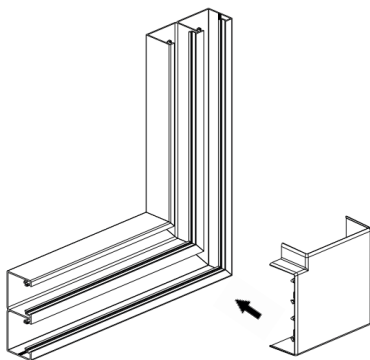
2.2.3 Non variable flat angle



Enables the junction in flat angle of two same sections :
 - respects of the degree protection
 - preserves the distribution of the various currents
 - improves aesthetics (covering of the cut)
 White color
 Clip-on on the body

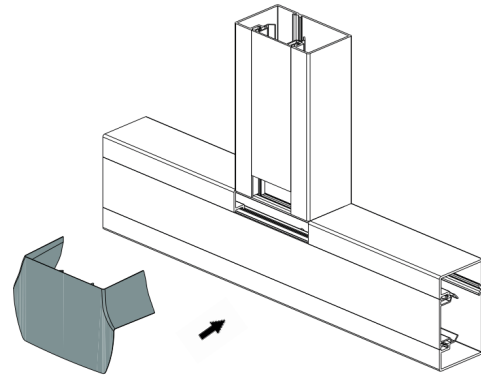
Non variable angle: 90°
 The flat angles are delivered with 2 elements.

| Sections | for trunkings | |
|----------|---------------|-----------|
| | snap-on | universal |
| 85x50 | 6 380 23/29 | - |
| 100x50 | 6 380 19/33 | 6 380 13 |
| 130x50 | 6 380 49 | 6 380 43 |
| 190x50 | - | 6 380 53 |



2. RANGE (cont.)

2.2.4 Flat junction

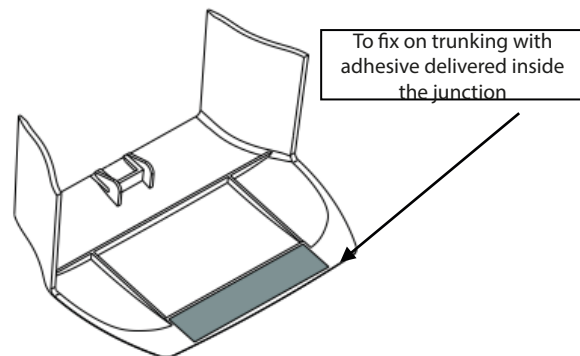


Enables the junction in "T":
 - respects of the degree protection
 - improves aesthetics (covering of the cut)
 White color
 Clip-on on the body

Note: For DLP 100x50 Universal trunking nr 6 380 38, use the special adaptor (please look at page 2)

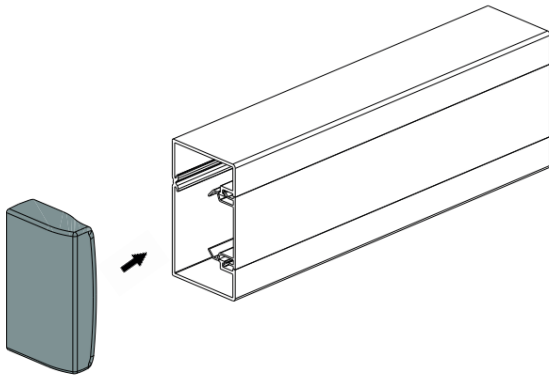
| Sections | for trunkings | |
|----------|---------------|-----------|
| | snap-on | universal |
| 85x50 | 6 380 24 | - |
| 100x50 | 6 380 34 | |
| 130x50 | 6 380 44 | - |
| 190x50 | - | 6 380 54 |

« T junction » with adhesive for trunking 130 and 190

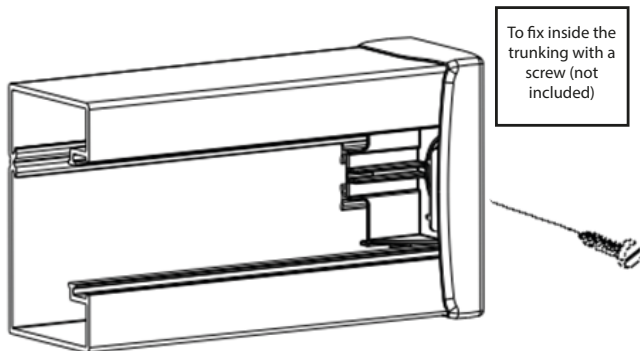


2. RANGE (cont.)

2.2.5 End cap



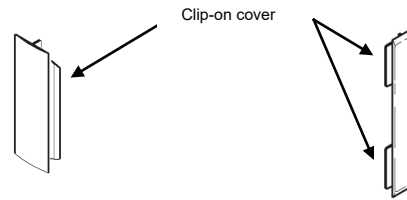
Enables to block the end of the body:
 - respect of the degree protection
 - improvement of aesthetics (covering of the cut)
 - left or right end cap
 White color
 Clip-on on the body by fitment and screwing.



| Sections | for trunkings | |
|----------|---------------|-----------|
| | snap-on | universal |
| 85x50 | 6 380 25 | - |
| 100x50 | 6 380 35 | |
| 130x50 | 6 380 45 | - |
| 190x50 | - | 6 380 55 |

2. RANGE (cont.)

2.2.6 Cover joint

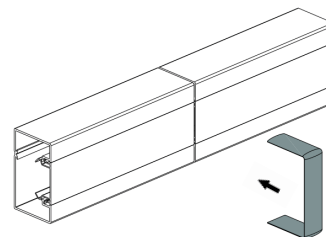


Enables:
 - the junction end to end of two covers
 - the respect of the degree protection
 - to improve aesthetics (covering of the cut)

White color

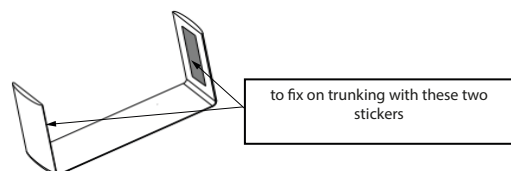
| Numbers | for cover width |
|----------|-----------------|
| 6 380 00 | 45 mm |
| 6 380 01 | 75 mm |

2.2.7 Body joint



Enables:
 - the junction end to end of two covers
 - the respect of the degree protection
 - to improve aesthetics (covering of the cut)
 To fix on the body with two stickers

White color



| Sections | for trunkings | |
|----------|---------------|-----------|
| | snap-on | universal |
| 85x50 | 6 380 26 | - |
| 100x50 | 6 380 36 | |
| 130x50 | 6 380 46 | - |
| 190x50 | - | 6 380 56 |

2. RANGE (cont.)

■ 2.3 Wiring devices accessories

2.3.1 for snap-on DLP-S trunking: Fixing clip nr 6 038 57

Accessory for fixing wiring devices inside the snap-on trunking.

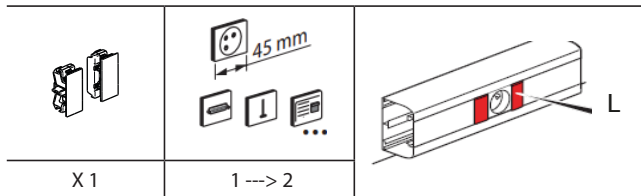
Enables :

- anti-slip
- anti-pullout
- perfect finish
- respect of the degree protection (IP40)

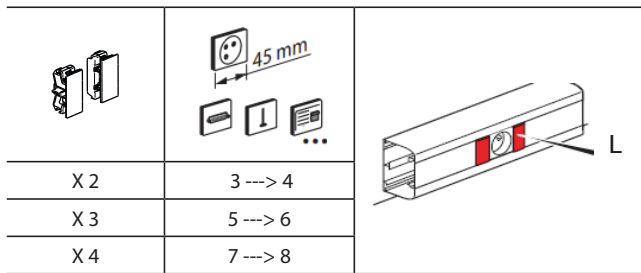
White color

Pack by 10 sets of 2 peaces

Concerning the number max of Mosaic modules can be use between 2 fixing clips, please respect the installation below (as 1 pair for 8 modules max, 2 pairs for 16 modules etc...)
 $L \leq 2 \times 45\text{mm}$



$L > 3 \times 45\text{mm}$



2. RANGE (cont.)

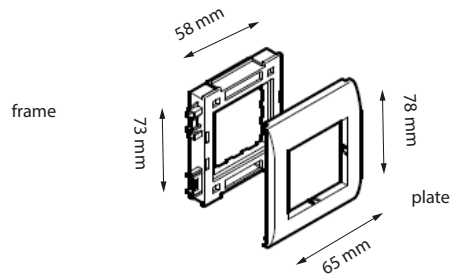
2.3.2 for universal DLP-S trunking

2.3.2.1 45 mm wiring devices supports

Frames delivered with finishing plate in white colour.

Enables the assembly of 2/ 4/ 6 modules 45x45 mm sockets on trunking equipped with 75 mm cover

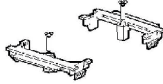
| Numbers | | Modules number |
|----------|---|----------------|
| 6 380 71 | 2 | |
| 6 380 72 | 4 | |
| 6 380 73 | 6 | |



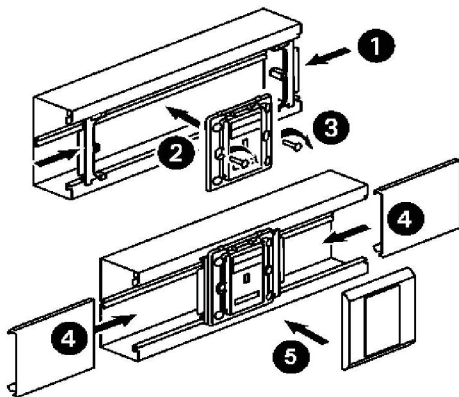
| Support composed of | color | 2 modules 6 380 71 | 4 modules 6 380 72 | 8 modules 6 380 73 |
|---------------------|-------|-----------------------|-----------------------|-----------------------|
| Frame (mm) | grey | 58x73 | 123x73 | 168x73 |
| Plate (mm) | white | 65x78 | 130x78 | 175x78 |

2. RANGE (cont.)

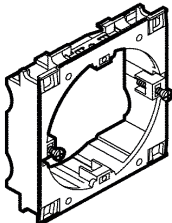
2.3.2.2 British standard support nr 6 380 05



Set of 2 parts (delivered with insert and screws)
White colour
Enables the assembly on trunking DLP-S Universal (75 mm cover) of Synergy, Mallia, Belanko wiring devices.

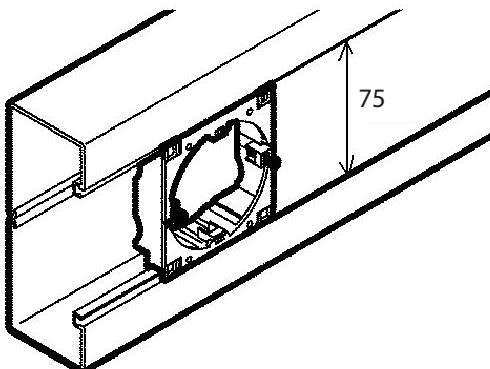


2.3.2.3 1P 60 mm centers universal frame nr 6 117 88



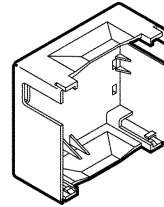
Snap-together and joinable frame
Grey color

Enable the assembly on trunking DLP-S Universal (75 mm cover) of 60 mm wiring devices (Niloé, Kaptika...)

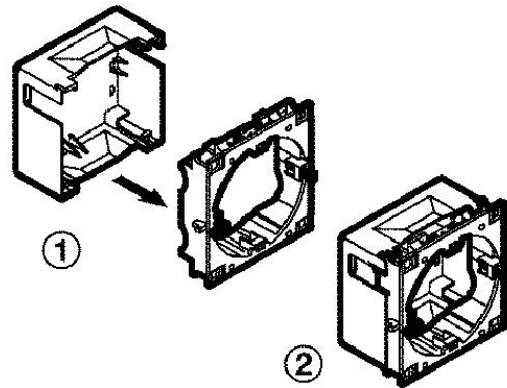


2. RANGE (cont.)

2.3.2.4 1P 60 mm centres Bax box nr 6 117 89



Enables insulation wiring devices by clipping itself behind the 60 mm frame nr 6 117 88.
Grey color



3. TECHNICAL CHARACTERISTICS

Wiring capacity of DLP-S trunking

| Snap-on trunking | Section mm ² | Capacity | Maxi diameter | 3x1,5 mm ² | 3x2,5 mm ² | UTP & FTP CAT.6 |
|---|-------------------------|--------------------|---------------|-----------------------|-----------------------|-----------------|
| 85x50 nr 6 380 20 | 2940 | Max | 36 | 26 | 19 | 58 |
| | 2092 | with 2PT+E sockets | | 18 | 13 | 41 |
| | 2618 | with RJ socket | | 23 | 17 | 52 |
| 100x50 nr 6 380 30 | 3400 | Max | 36 | 36 | 27 | 82 |
| | 2738 | with 2PT+E sockets | | 24 | 17 | 54 |
| | 3264 | with RJ socket | | 29 | 21 | 65 |
| 130x50 nr 6 380 40 2 compartments | 2646 | Max | 36 | 23 | 17 | 52 |
| | 1256 | with 2PT+E sockets | | 11 | 8 | 25 |
| | 1762 | with RJ socket | | 15 | 11 | 35 |
| | 2616 | Max | 36 | 23 | 17 | 52 |
| | 1206 | with 2PT+E sockets | | 10 | 7 | 24 |
| | 1732 | with RJ socket | | 15 | 11 | 34 |

| Universal trunking | Section mm ² | Capacity | Max diameter | 3x1,5 mm ² | 3x2,5 mm ² | UTP & FTP CAT.6 |
|---|-------------------------|--------------------|--------------|-----------------------|-----------------------|-----------------|
| 100x50 nr 6 380 38 | 4224 | Max | 36 | 36 | 27 | 82 |
| | 2738 | with 2PT+E sockets | | 24 | 17 | 54 |
| | 3264 | with RJ socket | | 29 | 21 | 65 |
| 190x50 nr 6 380 50 2 compartments | 4017 | Max | 36 | 45 | 29 | 164 |
| | - | with 2PT+E sockets | | - | - | - |
| | - | with RJ socket | | - | - | - |
| | 4017 | Max | 36 | 45 | 29 | 164 |
| | - | with 2PT+E sockets | | - | - | - |
| | - | with RJ socket | | - | - | - |

Classification of DLP-S trunking EN 50085-2-1*

| | |
|---|--|
| 6.2 Resistance to impact for installation and application | 2.0J |
| 6.3 Minimum storage and transport temperature | - 25°C |
| 6.3 Minimum installation and application temperature | - 5°C |
| 6.3 Maximum application temperature | + 60°C |
| 6.4 Resistance to flame propagation | Non-flame propagating |
| 6.5 Electrical continuity characteristic | Without electrical continuity characteristic |
| 6.6 Electrical insulating characteristic | With electrical insulating characteristic |
| 6.7 Degrees of protection provided by enclosure | IP40 |
| 6.9 The system access cover retention | With a tool |
| 6.101 The position when surface mounted | Wall fixed Ceiling fixed |
| 6.103 The functions provided | Type 1 |
| Rated voltage | 500 V |
| Protection against mechanical shocks | IK 07 |

* complete information about system on demand

3. TECHNICAL CHARACTERISTICS *(cont.)*

Compositions and functions of DLP-S trunking (1 system per line) EN 50085-2-1 :

| Trunking | | | End cap |
|-------------------|----------|----------------------------|----------|
| Body | Numbers | Section (mm ²) | |
| 85x50 | 6 380 20 | 2940 | 6 380 25 |
| 100x50 snap-on | 6 380 30 | 3400 | 6 380 35 |
| 100x50 Universal | 6 380 38 | 4224 | 6 380 35 |
| 130x50 (2compart) | 6 380 40 | 2646/2616 | 6 380 45 |
| 190x50 (2compart) | 6 380 50 | 4017/4017 | 6 380 55 |

4. MATERIAL CHARACTERISTICS

Trunking/cover/partition => RAL 9003 white PVC, conform to the Directive RoHS*1

Accessories => RAL 9003 white ABS conform to the Directive RoHS*

*1 RoHS designation :

Restriction of the use of certain Hazardous Substances, RoHS in the Equipements Electriques and Electroniques (EEE)

RX³ RCCBs
2P up to 80A

Cat. N°(s) : 4 020 24, 25, 26, 27, 28, 29, 30, 32, 33, 34, 36, 4 020 37, 38

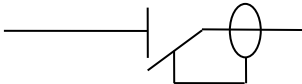


| CONTENTS | PAGE |
|--------------------------------------|------|
| 1. Description, use..... | 1 |
| 2. Range | 1 |
| 3. Overall dimensions..... | 1 |
| 4. Preparation - Connection..... | 1 |
| 5. General characteristics..... | 3 |
| 6. Compliance and approvals | 7 |
| 7. Curves..... | 8 |
| 8. Auxiliaries and accessories | 10 |
| 9. Safety..... | 10 |

1. DESCRIPTION - USE

RCCBs with positive contact indication for control, protection and isolation of electrical circuits, protecting people from direct and indirect contact and protecting installations from insulation faults.

Symbol:



Technology:

. Electromagnetic residual current function with current-sensing relay

2. RANGE

Poles:

. 2-pole

Width:

. 2 modules (2 x 17.8 mm)

Rated currents:

. 25 / 40 / 63 / 80 A

Residual current types:

- . AC (sinusoidal differential alternating currents)
- . A (residual currents with a DC component)

Sensitivity:

. 30 / 100 / 300 mA

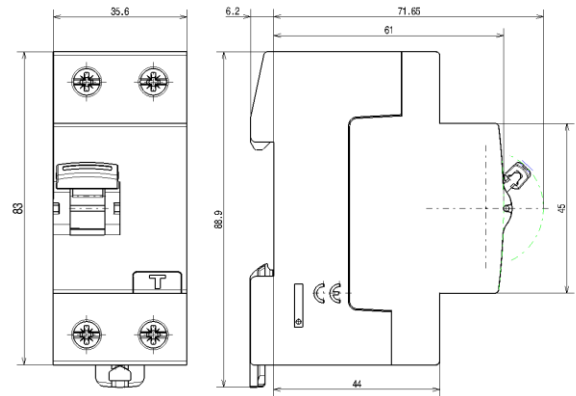
Rated voltage and frequency:

. 230 V~ / 240 V~, 50 Hz with standard tolerances

Maximum operating voltage:

. 250 V ~, 50 Hz

3. OVERALL DIMENSIONS



4. PREPARATION - CONNECTION

Mounting:

. On symmetrical rail EN 60715 or DIN 35 rail

Operating positions:

- . Vertical
- . Horizontal
- . Upside down
- . On the side



Power supply:

. From the top or the bottom

Connection:

- . Inputs and outputs via screw terminals
- . Cage terminals, with disengageable and captive screws
- . Terminals protected against direct finger contact IP20 with faceplate

4. PREPARATION - CONNECTION *(continued)*

Connection: *(continued)*

- . Alignment and spacing of the terminals enabling to supply the products via prong supply busbars
- . Terminal depth: 14 mm
- . Terminal capacity: 60 mm²
- . Screw head: mixed head, slotted head and Philips / Pozidriv no. 2
- . Tightening torques:
 - Minimum / Maximum: 1.2 Nm / 3.5 Nm
 - Recommended: 2.5 Nm

Type of wire:

- . Copper cables at the top and bottom of the product
 - Cable cross-section:

| | Without ferrule | With ferrule |
|----------------|--|--------------------------------|
| Rigid cable | 1 x 0.75 to 50 mm ² or 2 x 0.75 to 16 mm ² | / |
| Flexible cable | 1 x 0.75 to 35 mm ² or 2 x 0.75 to 16 mm ² | 1 x 0.75 to 25 mm ² |

Tools required:

- . For the terminals:
 - 5.5 mm / 6.5 mm blade screwdriver recommended
 - Pozidriv n°2 / Philips N°2 screwdriver recommended
- . For the latching:
 - 5.5 mm blade screwdriver recommended / 6 mm maximum
 - Pozidriv n°2 / Philips N°2 screwdriver recommended

Manual actuation:

- . Manual action via ergonomic 2 position handle:
 - I-On, device closed
 - O-Off, device open

Contact status display:

- . By marking of the product:
 - I-On : closed contacts
 - O-Off : contacts open

Residual current tripping display:

- . Handle at the bottom position, the residual current is released

Lockout:

- . Possible in the open or closed positions with padlock support (Cat. No. 4 063 03) and Ø5 mm padlock (Cat. No. 4 063 13) or Ø6 mm padlock (Cat. No. 0 227 97)

Sealing:

- . Possible in the open or closed positions

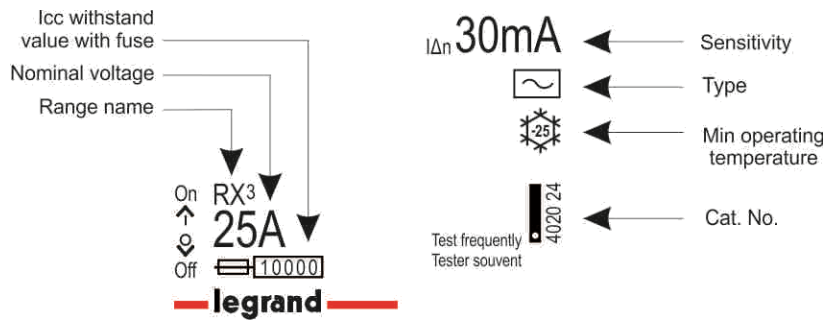
5. GENERAL CHARACTERISTICS

Neutral earthing system:

- . IT, TT and TN

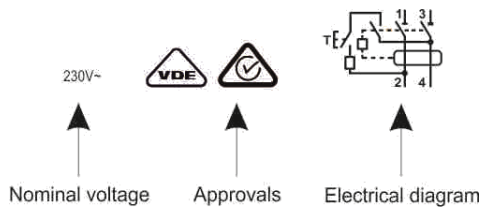
Marking on the front side:

- . By permanent ink pad printing



Marking on the upper side:

- . By permanent ink pad printing



Test operating voltage:

- . 30 mA, all types : from 180 V to 250 V~
- . 100 mA AC type : from 110 V to 250 V ~
- . 300 mA AC type : from 115 V to 250 V ~

Rated conditional short-circuit current:

- . Inc = 10 kA, in accordance with EN/IEC 61008-1

Rated conditional short-circuit residual current:

- . IΔc = 10 kA, in accordance with EN/IEC 61008-1

Rated residual breaking capacity:

- . IΔm = 1000 A, in accordance with EN/IEC 61008-1

Rated breaking and making capacity:

In accordance with EN/IEC 61008-1,

- . In = 25 / 40 A : Im = 500 A
- . In = 63 A : Im = 630 A
- . In = 80 A : Im = 800 A

Protection against overloads:

- . The RCCB must be protected against overloads (either upstream or downstream) by a circuit breaker or a fuse which has a maximum of the same nominal current as the residual current switch

RX³ RCCBs

2P up to 80A

Cat. N°(s) : 4 020 24, 25, 26, 27, 28, 29, 30, 32, 33, 34, 36,
4 020 37, 38

5. GENERAL CHARACTERISTICS *(continued)*

Protection against short-circuits:

. The RCCB must be protected upstream against short circuits using a circuit breaker or a fuse. Its resistance to short circuits when associated with a Legrand circuit breaker or fuse is compliant with the values stated in the tables below.

. Association with a fuse:

| | | | | |
|--------------|--------------------|--------------|--------------|--------------|
| Downstream | Upstream | | | |
| RCCB | gG or aM type fuse | | | |
| Rating | ≤ 50 A | 63 A | 80 A | ≥ 100 A |
| 25 A to 80 A | 100 kA | 50 kA | 15 kA | 10 kA |

. Association with a circuit breaker:

| | |
|-----------------|-----------------------------|
| | Upstream circuit breaker |
| | RX ³ 4500 / 6 kA |
| Downstream RCCB | Curves B & C |
| | In ≤ 40 A |
| 25 A to 80 A | 10 kA |

Temperature derating:

. Reference temperature: 30°C in accordance with standard IEC/EN 61008-1

| In (A) | Ambient Temperature/In | | | | | | | | |
|--------|------------------------|-----------|-----------|-----------|-----------|------|-----------|-----------|-----------|
| | - 25°C | - 10°C | 0°C | 10°C | 20°C | 30°C | 40°C | 50°C | 60°C |
| 25 A | 25 | 25 | 25 | 25 | 25 | 25 | 25 | 25 | 25 |
| 40 A | 40 | 40 | 40 | 40 | 40 | 40 | 40 | 25 | 25 |
| 63 A | 63 | 63 | 63 | 63 | 63 | 63 | 63 | 40 | 40 |
| 80 A | 80 | 80 | 80 | 80 | 80 | 80 | 80 | 63 | 63 |

Specific use:

. Appropriate to operate in humid atmosphere and polluted by a chlorinated environment (pool-type)

Volume and packaging:

| | | |
|---------------------------|---------------------------|-----------------|
| | Volume (dm ³) | Packaging |
| For all catalogue numbers | 0.35 | per unit |

RX³ RCCBs

2P up to 80A

Cat. N°(s) : 4 020 24, 25, 26, 27, 28, 29, 30, 32, 33, 34, 36,
4 020 37, 38

5. GENERAL CHARACTERISTICS (continued)

Dissipated Power:

| RCCB | | Total power dissipated by a 2 poles RCCBs (In) | |
|------|-------------|--|--------|
| In | Sensitivity | AC type | A type |
| 25 A | 30 mA | 3,1 W | 3,1 W |
| 25 A | 100 mA | 1 W | |
| 25 A | 300 mA | 1 W | |
| 40 A | 30 mA | 8 W | 8 W |
| 40 A | 100 mA | 2,6 W | |
| 40 A | 300 mA | 2,6 W | |
| 63 A | 30 mA | 6,2 W | 6,2 W |
| 63 A | 100 mA | 6,2 W | |
| 63 A | 300 mA | 6,2 W | |
| 80 A | 30 mA | 10 W | |

Isolation distance (distance between the contacts):

. Handle in open position - O-Off: greater than 4.5 mm

Rated insulation voltage:

. $U_i = 250$ V

Insulation resistance:

. 2 M Ω

Degree of pollution:

. 2

Dielectric strength:

. 2000 V - 50 Hz

Impulse withstand voltage:

. $U_{imp} = 4$ kV

Protection classes:

- . Terminals protected against direct contact: IP20 with faceplate
- . Front side protected against direct contact: IP40
- . Class II in relation to metallic conductive parts
- . Protection against impacts: IK04

Plastic materials used:

. Parts made of polyamide and P.B.T.

Protection from unwanted tripping:

- . 0.5 μ s/100 kHz damped recurring wave = 200 A
- . 8/20 μ s wave: A - AC type = 250 A

DC operation:

. Cannot be used with DC

Operation at 400 Hz:

. Cannot be used at 400 Hz

Operation at 60 Hz:

. Can be used at 60Hz. Except ratings 63A/80A, A and AC type, with sensitivity 30mA

5. GENERAL CHARACTERISTICS (continued)**Weight:**

| Référence | Catalogue Number | Weight (kg) |
|-----------|---------------------|-------------|
| 4 020 24 | 25 A AC type 30 mA | 0,19 |
| 4 020 25 | 40 A AC type 30 mA | 0,19 |
| 4 020 26 | 63 A AC type 30 mA | 0,23 |
| 4 020 27 | 80 A AC type 30 mA | 0,23 |
| 4 020 28 | 25 A AC type 100 mA | 0,21 |
| 4 020 29 | 40 A AC type 100 mA | 0,21 |
| 4 020 30 | 63 A AC type 100 mA | 0,21 |
| 4 020 32 | 25 A AC type 300 mA | 0,19 |
| 4 020 33 | 40 A AC type 300 mA | 0,19 |
| 4 020 34 | 63 A AC type 300 mA | 0,19 |
| 4 020 36 | 25 A A type 30 mA | 0,19 |
| 4 020 37 | 40 A A type 30 mA | 0,19 |
| 4 020 38 | 63 A A type 30 mA | 0,23 |

Enclosure heat and fire resistance:

- . Resistance to glow wire tests at 960°C, in accordance with standard IEC/EN 61008-1
- . Classification V2, in accordance with standard UL94

Device's upper heating value:

- . Estimated heating value of a 25 or 40A 30mA AC device: 2.41 MJ

Handle opening and closing forces:

- . Force of 23 N for closing - (all ratings)
- . Force of 8 N for opening - (all ratings)

Mechanical endurance:

- . Conforms to standard EN 61008-1
- . Tested with 20,000 operations with no load

Electrical endurance:

- . Conforms to standard EN 61008-1
- . Tested with 10,000 operations with load (at $I_n \times \cos \varphi$ 0.9)
- . Tested with 2,000 residual current tripping operations using the test button or the fault current

Operating ambient temperature:

- . - 25°C / + 60°C

Storage ambient temperature:

- . - 40°C / + 70°C

Resistance to sinusoidal vibrations: (in accordance with IEC 68.2.6)

- . Axis: x / y / z
- . Frequency: 10 to 55 Hz
- . Acceleration: 3 g (1 g = 9.81 m.s⁻²)

Resistance to tremors :

- . Conforms to standard EN 61008-1

5. GENERAL CHARACTERISTICS *(continued)*

Derating of RCCBs in terms of the number of devices installed side by side:

When several RCCBs are installed side by side and operate simultaneously, the heat dissipation of one pole is limited. This results in an increased operating temperature for the RCCBs. Applying the following coefficients to the operating currents is recommended.

| Number of circuit breakers side by side | Coefficient |
|---|-------------|
| 2 - 3 | 0.9 |
| 4 - 5 | 0.8 |
| 6 - 9 | 0.7 |
| ≥ 10 | 0.6 |

These values are provided by recommendation IEC 60439-1 and the standards NF C 63421 and EN 60439-1.

In order to avoid having to use these coefficients there must be good ventilation and the devices must be kept apart using the spacing elements Cat. No. 4 063 07 (0.5 module).

Impact of height:

| | 2000 m | 3000 m | 4000 m | 5000 m |
|---------------------------|---------------|---------------|---------------|---------------|
| Dielectric strength | 2000 V | 2000 V | 2000 V | 1500 V |
| Maximum operating voltage | 230 V | 230 V | 230 V | 230 V |
| Derating at 30°C | none | none | none | none |

6. COMPLIANCE AND APPROVALS

Reference product standards:

- . EN 61008-1/IEC 61008-1
- . EN/IEC 60 529 (IP)

Environment:

- . Compliance with European Union Directives
- . Compliance with Directive 2002/95/EC of 27/01/03 known as "RoHS" which provides for a restriction on the use of dangerous substances such as lead, mercury, cadmium, hexavalent chromium and polybrominated biphenyl (PBB) and polybrominated diphenyl ether (PBDE) brominated flame retardants from 1st July 2006
- . Compliance with the Directive 91/338/EEC of 18/06/91 and decree 94-647 of 27/07/94

Usage in special conditions:

- . Category C compliant (testing temperature of -25°C to +70°C, resistant to salt spray) in accordance with the classification defined in Appendix Q of standard IEC/EN 60947-1

Plastic materials:

- . Zero halogen plastic materials.
- . Labelling compliant with ISO 11469 and ISO 1043.

Packaging:

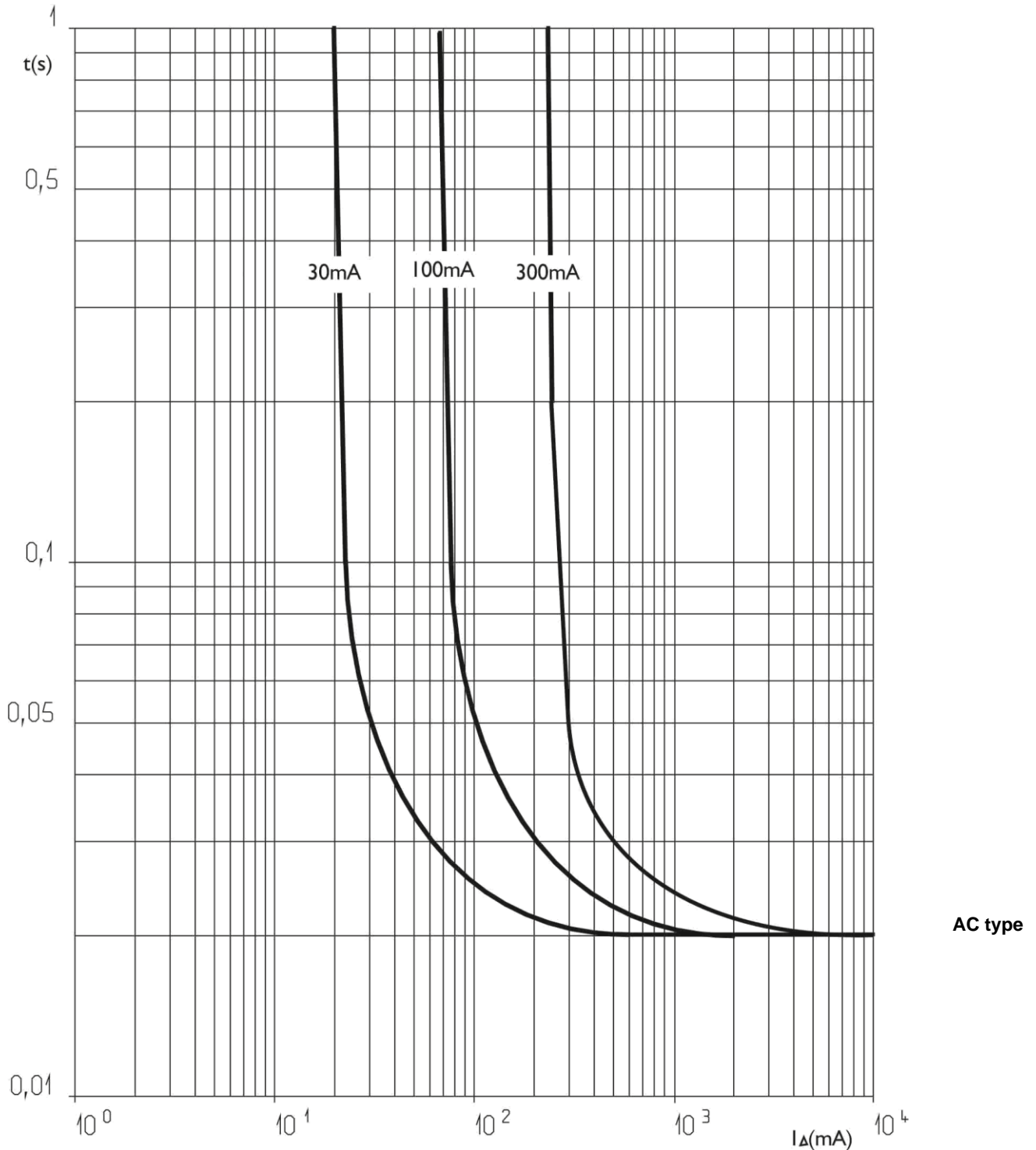
- . Design and manufacture of packaging compliant with decree 98-638 of 20/07/98 and Directive 94/62/EC

7. CURVES

Tripping current curves:

. Tripping time curve depending on the value of the fault current:

AC TYPE

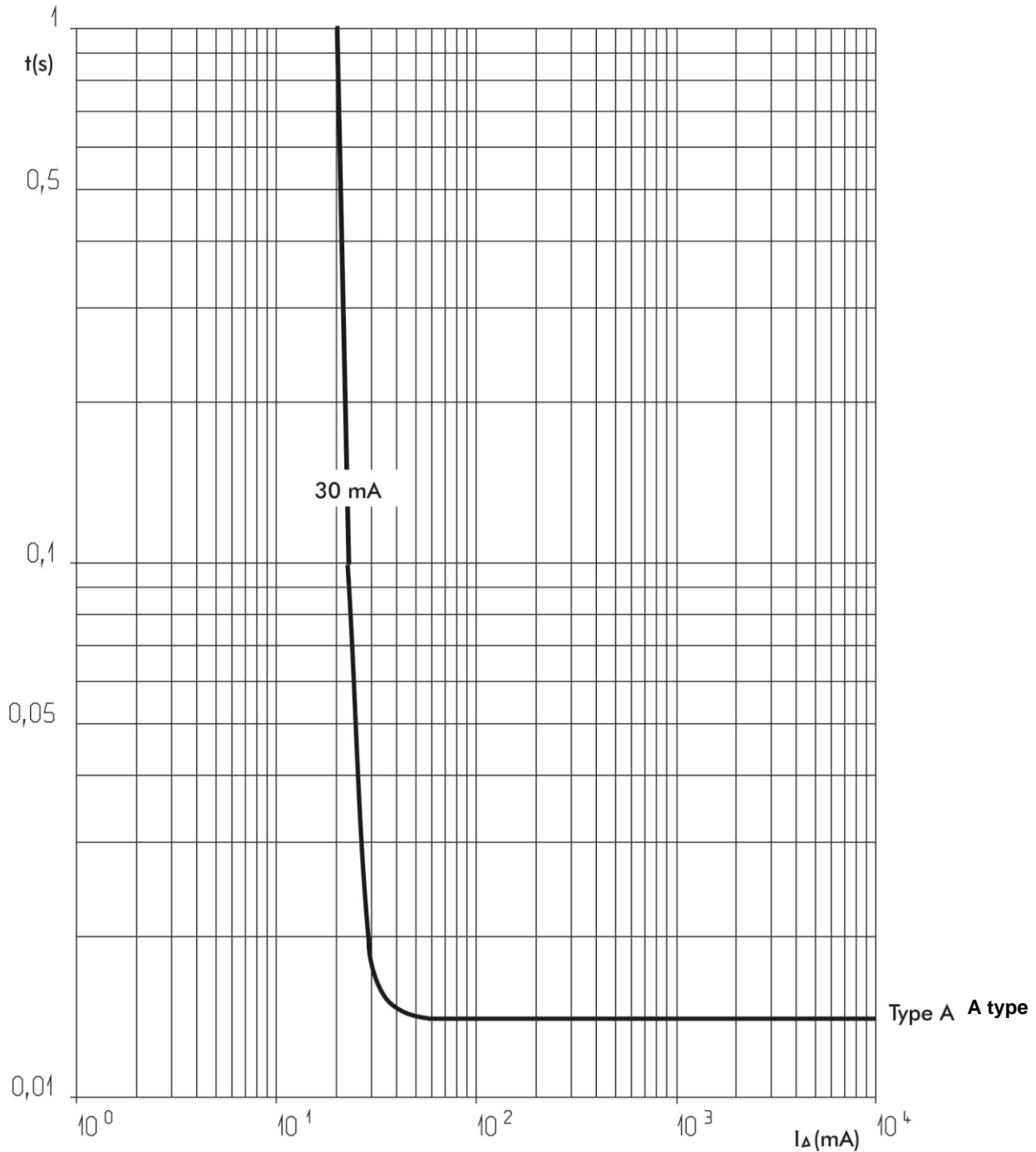


7. CURVES (continued)

Tripping current curves:

. Tripping time curve depending on the value of the fault current:

A TYPE



8. AUXILIARIES AND ACCESSORIES

Wiring accessories:

- . Sealable screw cover (Cat. No. 4 063 04)

Sealing:

- . Possible in the open or closed positions

Lockout possibilities:

- . Via Ø 5 mm padlock (Cat. No. 4 063 13) or Ø 6 mm padlock (Cat. Nos. 0 227 97) and padlock support (Cat. No. 4 063 03)

9. SAFETY

. For your safety your electrical installation is equipped with residual current protection and this must be tested periodically. In the absence of any national regulations on the time period required for this, Legrand recommends that this test be carried out every month: press the "T" test button, the device should trip. Please call an electrician immediately if this does not happen as your installation's safety level has been reduced

. The presence of residual current protection does not remove the need to observe all the precautions associated with using electrical energy

RX³ M.C.B. 4500 A up to 63 A
(1 module per pole)

Cat. N°(s): 4 196 61 to 4 197 47

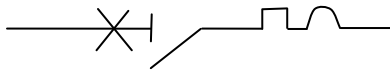


| CONTENTS | PAGES |
|------------------------------------|-------|
| 1. Description, use..... | 1 |
| 2. Range | 1 |
| 3. Overall dimensions..... | 1 |
| 4. Preparation - Connection..... | 1 |
| 5. General characteristics..... | 2 |
| 6. Compliance and approvals | 5 |
| 7. Equipments and accessories..... | 5 |

1. DESCRIPTION - USE:

. Thermal-magnetic circuit breaker (MCB) with positive contact indication for control, protection against short-circuits and overloads, and isolation of electrical circuits.

Symbol :



Technology:

. Limiting device

2. RANGE

Rated currents:

. Curve C 6 / 10 / 16 / 20 / 25 / 32 / 40 / 50 / 63 A

Polarity:

. 1P, 1P+N, 2P, 3P, 3P+N, 4P

Width:

. 1 module per pole. Each pole is 17,7 mm

Magnetic tripping curves :

. C curve (between 5 and 10 In)

Thermal threshold according to IEC/EN 60898-1:

- . Non operating current (In): 1.13 In.
- . Operating current (If): 1.45 In.

Rated voltage / frequency:

. 230 V ~ / 400 V ~ - 50 / 60 Hz with standard tolerances

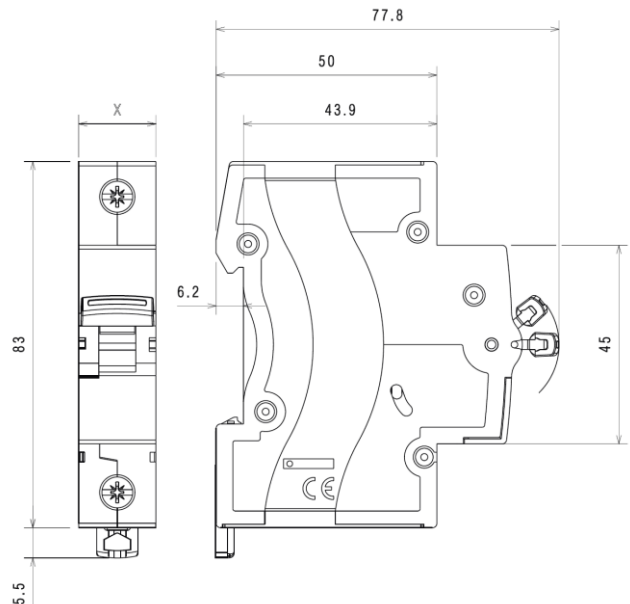
Maximum operating voltage:

- . 1P & 1P+N 230 V ~ ± 10%
- . 2P, 3P, 3P+N & 4P 400 V ~ ± 10%

Breaking capacity:

. 4500 A in accordance with standard EN/IEC 60898-1

3 OVERALL DIMIENSIONS



| | X |
|-----------|---------|
| 1P / 1P+N | 17.7 mm |
| 2P | 35.4 mm |
| 3P 7 3P+N | 53.1 mm |
| 4P | 70.8 mm |

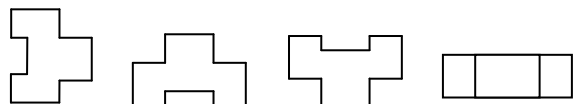
4. PREPARATION - CONNECTION

Fixing:

. On symmetrical rail EN/IEC 60715 or DIN 35 rail.

Operating positions:

. Vertical Horizontal Upside down On the side



RX³ M.C.B. 4500 A up to 63 A (1 module per pole)

Cat. N°(s): 4 196 61 to 4 197 47

4. PREPARATION - CONNECTION *(continued)*

Power supply:

- . From the top or the bottom.

Connection:

- . Inputs and outputs via screw terminals
- . Cage terminals, with release and captive screws
- . The location of the terminals allows supplying by traditional HX³ pin busbar.

Terminal depth :

- . 14 mm

Stripping length recommended:

- . 11 mm

Screw head:

- . Mixed, slotted and Pozidriv 2.

Tightening torque:

- . Recommended: 2.5 Nm.
- . Mini: 2 Nm. Maxi: 3 Nm.

Tools required:

- . For the terminals: Pozidriv n°2 or flat screwdriver 5.5 mm (6 mm maximum).
- . For fixing: flat screwdriver 5.5 mm (6 mm maximum).

Connectable section:

| | Copper cables | |
|----------------|--|---|
| | Without ferrule | With ferrule |
| Rigid cable | 1 x 1.5 mm ² to 25 mm ² 2 x 1.5 mm ² to 10 mm ² | - |
| Flexible cable | 1 x 1.5 mm ² to 16 mm ² 2 x 1.5 mm ² to 10 mm ² | 1 x 1.5 mm ² to 16 mm ² |

Manual actuation of the MCB:

- . Ergonomic 2-position handle: ON and OFF

4. PREPARATION - CONNECTION *(continued)*

Contact status display:

- . By front face marking:
 - "O-OFF" = contacts open
 - "I-ON" = contacts closed

Sealing:

- . Possible in "Open" position (OFF) or "Close" position (ON).

Locking:

- . By 5 mm padlock (cat. N° 4 063 13) or 6 mm padlock (cat. N° 0 227 97) with padlock support (cat. N° 4 063 03).

5. GENERAL CHARACTERISTICS

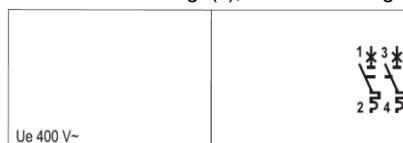
Marking on the front side:

- . By permanent ink pad printing:
 - Trade name: RX³
 - Breaking curve
 - Rated current (in A)
 - Contact status.
 - Icn in A rated breaking capacity in accordance with IEC/EN 60898-1 (in a box)
 - Limiting class "3" (in a square)
 - Mark: Legrand.



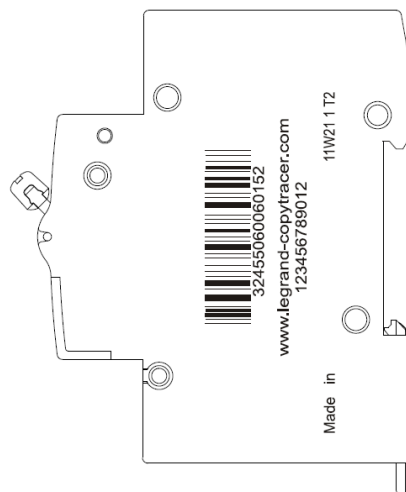
Top face marking:

- . By permanent pad printing
 - Rated voltage(s), Certification logo and Electric diagram



Side face marking:

- . By laser marking:
 - Copy-tracer and production information



RX³ M.C.B. 4500 A up to 63 A (1 module per pole)

Cat. N°(s): 4 196 61 to 4 197 47

5. GENERAL CHARACTERISTICS (continued)

Short-circuit breaking capacity:

. Alternate current 50/60Hz, single-phase or three-phase network, in accordance with standard: EN/IEC 60898-1

| Un | | 1P / 1P+N | 2P | 3P / 3P+N / 4P |
|--------|-----------------|-----------|---------|----------------|
| 110 V~ | I _{cn} | 6000 A | 10000 A | - |
| 230V~ | | 4500 A | 6000 A | 6000 A |
| 400V~ | | - | 4500 A | 4500 A |

| 110 V~ | I _{cs} | 75% of I _{cn} | 75% of I _{cn} | 75% of I _{cn} |
|--------|-----------------|------------------------|------------------------|------------------------|
| 230V~ | | | | |
| 400V~ | | | | |

. Alternate current 50/60Hz, single-phase or three-phase network, in accordance with standard: EN/IEC 60947-2

| Un | | 1P / 1P+N | 2P | 3P / 3P+N / 4P |
|--------|-----------------|-----------|--------|----------------|
| 110 V~ | I _{cu} | 6 kA | 10 kA | - |
| 230V~ | | 4.5 kA | 6 kA | 6 kA |
| 400V~ | | - | 4.5 kA | 4.5 kA |

| 110 V~ | I _{cs} | 75% of I _{cu} | 75% of I _{cu} | 75% of I _{cu} |
|--------|-----------------|------------------------|------------------------|------------------------|
| 230V~ | | | | |
| 400V~ | | | | |

Short-circuit breaking capacity of only one pole:

- . I_{cn1} = 4.5 kA at 230 V, where I_{cn1} is the breaking capacity of one pole for multi-pole MCB's in case of short-circuit to earth.
- . Breaking capacity of one single pole under 400 V compound voltage (IT network) = 1.5kA.
- . Breaking capacity of one single pole under 230 V compound voltage (IT network) = 4.5 KA.

Minimum operating voltage:

- . 12 V a.c. per pole.

Pulse rated voltage:

- . U_{imp} = 4 kV

Insulation rated voltage:

- . U_i = 500 V

Pollution degree :

- . 2 in accordance with standard EN/IEC 60898-1.

Electric strength:

- . 2500 V

Operation at 400 Hz:

- . The magnetic thresholds increase by 45%.

Load to close and to open a pole through the handle:

- . 0.1 Nm per pole to close.
- . 0.075 Nm per pole to open.

Isolating distance (distance between contacts):

- . more than 5 mm with the handle in open position O

5. GENERAL CHARACTERISTICS (continued)

Mechanical endurance:

- . 20000 operations without load.
- . 10000 operations with load (under $\ln^* \cos \varphi = 0.9$).

Enclosure material:

- . Polyester.
- . Characteristics of this material: self extinguishing, heat and fire resistant according to EN 60898-1, glow-wire test at 960°C for external parts made of insulating material necessary to retain in position current-carrying parts and parts of protective circuit (650°C for all other external parts made of insulating material).

Average weight per pole:

- . 0.120 kg.

Volume when packed:

| | Volume (dm ³) |
|--------------------------|---------------------------|
| 1P (packed per 12) | 2.0 |
| 1P+N / 2P (packed per 6) | 2.0 |
| 3P (packed per 4) | 2.0 |
| 3P+N / 4P (packed per 3) | 2.0 |

Ambient temperatures:

- . Operation: from - 25 °C to + 70 °C
- . Storage: from - 40 °C to + 70 °C

Degree or class of protection:

- . Protection index the screw head against solid and liquid bodies: IP 20, (in accordance with standards IEC 529, EN 60529 and NF C 20-010).
- . Protection index of the box against solid and liquid bodies: IP 40 (in accordance with standards IEC 529, EN 60529 and NF C 20-010).
- . Protection index against mechanical shocks: IK 02 (in accordance with standards EN 50102 and NF C 20-015).

Dissipated power in case of fire:

- . available on request with required Standard

Sinusoidal vibration resistance in accordance with IEC 60068.2.6:

- . Axis: x, y, z.
- . Frequency range: 5÷100 Hz ; duration 90 minutes
- . Displacement (5÷13,2 Hz) : 1mm
- . Acceleration (13,2÷100 Hz) : 0,7 (g=9,81 m/s²)

Power dissipated per pole (W) :

- . Circuit breaker B and C curves

| I _n | 6 A | 10 A | 16 A | 20 A |
|----------------|-----|------|------|------|
| 1P÷4P | 1.1 | 1.8 | 2.2 | 2.4 |

| I _n | 25 A | 32 A | 40 A | 50A | 63A |
|----------------|------|------|------|-----|-----|
| 1P÷4P | 3.0 | 3.2 | 4 | 4.5 | 5.5 |

- . Impedance per pole (Ω) = $\frac{P \text{ dissipated}}{I_n^2}$

5. GENERAL CHARACTERISTICS *(continued)*:

Derating of circuit-breakers according to ambient temperature :

. The rated characteristics of a circuit breaker are modified according to the ambient temperature inside the cabinet or the enclosure where the circuit breaker is located.

. Reference temperature: 30 °C in accordance with EN/IEC 60898-1

| In (A) | Ambient Temperature / In | | | | | | | | | |
|--------|--------------------------|--------|------|------|------|------|------|------|------|------|
| | - 25°C | - 10°C | 0°C | 10°C | 20°C | 30°C | 40°C | 50°C | 60°C | 70°C |
| 6 | 7.5 | 7.0 | 6.6 | 6.4 | 6.2 | 6.0 | 5.8 | 5.6 | 5.4 | 5.3 |
| 10 | 12.5 | 11.5 | 11.1 | 10.7 | 10.3 | 10.0 | 9.7 | 9.3 | 9.0 | 8.7 |
| 16 | 20.0 | 18.7 | 18.0 | 17.3 | 16.6 | 16.0 | 15.4 | 14.7 | 14.1 | 13.5 |
| 20 | 25.0 | 23.2 | 22.4 | 21.6 | 20.8 | 20.0 | 19.2 | 18.4 | 17.6 | 16.8 |
| 25 | 31.5 | 29.5 | 28.3 | 27.2 | 26.0 | 25.0 | 24.0 | 22.7 | 21.7 | 20.7 |
| 30 | 38.3 | 36.0 | 34.5 | 33.0 | 31.5 | 30.0 | 28.8 | 27.3 | 26.1 | 24.9 |
| 32 | 41.0 | 37.8 | 36.5 | 34.9 | 33.3 | 32.0 | 30.7 | 29.1 | 27.8 | 26.5 |
| 40 | 51.0 | 48.0 | 46.0 | 44.0 | 42.0 | 40.0 | 38.0 | 36.0 | 34.0 | 32.0 |
| 50 | 64.0 | 60.0 | 57.5 | 55.0 | 52.5 | 50.0 | 47.5 | 45.0 | 42.5 | 40.0 |
| 63 | 80.6 | 75.6 | 72.5 | 69.9 | 66.1 | 63.0 | 59.8 | 56.1 | 52.9 | 49.7 |

Derating of MCB for use with fluorescent lights:

Ferromagnetic and electronic ballasts have a high inrush current for a short time. These currents can cause the tripping of circuit breakers.

At the time of the installation, it should take into account the maximum number of ballasts per circuit breaker that the manufacturers of lamps and ballasts indicate in their catalogues.

Influence of the altitude:

| | ≤2000 m | 3000 m | 4000 m | 5000 m |
|-------------------------|---------|--------|--------|--------|
| Dielectric holding | 3000 V | 2500 V | 2000 V | 1500 V |
| Max operational Voltage | 400 V | 400 V | 400 V | 400 V |
| Derating at 30°C | none | none | none | none |

Derating of MCBs function of the number of devices side by side:

When several MCBs are juxtaposed and operate simultaneously, the thermal evacuation of the poles is limited. This results in an increase in operating temperature of the circuit breakers which can cause unwanted tripping. It is recommended to apply the following coefficients to the rated currents.

| Number of circuit breakers side by side | Coefficient |
|---|-------------|
| 2 - 3 | 0.9 |
| 4 - 5 | 0.8 |
| 6 - 9 | 0.7 |
| ≥ 10 | 0.6 |

These values are given by the recommendation of IEC 61439-1, NF C 63421 and EN 61439-1 standards.

To avoid using these coefficients, it is necessary to allow a good ventilation and to separate the devices with 0.5 module spacing elements (cat. N° 4 063 07).

6. COMPLIANCE AND APPROVALS

In accordance with standards:

- . EN/IEC 60898-1 (Switches for domestic fixed installations and similar – 2nd section : special requirements for remote electromagnetically controlled switches (remotes switches) with 4500 A breaking capacity
- . EU guidelines : 73/23/EEC + 93/68/EEC
- . Legrand circuit-breakers can be used under the conditions of use as defined by EN/IEC 60947.
- . The performance of circuit breakers can be influenced by particular climates: hot dry, cold dry, hot humid, salt fog atmosphere

Classification according to Annex Q (standard IEC/EN 60947-1) :

- . Category C with a range test temperature -25 °C / +70 °C
- . Salt fog atmosphere according IEC 60068-2-52

Environment respect – Compliance with EU directives:

- . Compliance with Directive 2011/65/EU of 08/06/11 called "RoHS" which provides for the banning of hazardous substances such as lead, mercury, cadmium, hexavalent chromium, brominated flame retardants polybrominated biphenyls (PBBs) and polybrominated diphenyl ethers (PBDEs) from 1st July 2006
- . Compliance with Directive 91/338/EEC of 18/06/91 and Decree 94-647 of 27/07/04

Precious metal:

- . Silver: 0,08 g per pole of MCB
- . No gold

Plastic materials :

- . Halogens-free plastic materials.
- . Marking of parts according to ISO 11469 and ISO 1043.

Packaging:

- . Design and manufacture of packaging in accordance with Decree 98-638 of 07.20.98 and Directive 94/62/EC

7. EQUIPMENT AND ACCESSORIES

Wiring accessories:

- . Supply busbar

Possible combinations of MCB's and auxiliaries:

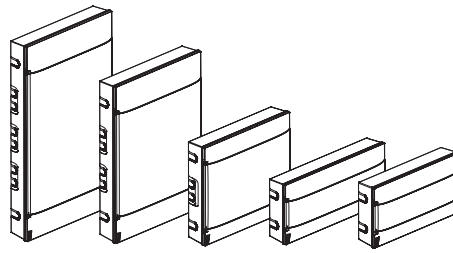
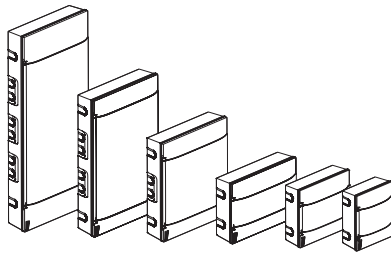
- . No auxiliary is associable to the MCB

RCD add-on modules:

- . No RCD add-on module

Practibox S surface-mounting cabinets with unprotected terminal blocks on a support

Cat. No(s): 1 341 24/28/34/38 - 1 342 04/08/14/18
 1 343 48/58 - 1 346 04/08/14/18 - 1 351 21/22/23/24/31/32/33/34
 1 352 01/02/03/04/11/12/13/14
 1 353 41/42/43/44/51/52/53/54 - 1 354 21/22/23/24/31/32/33/34
 1 356 01/02/03/04/11/12/13/14 - 1 371 25/26/27/28/29/35/36/37/38/39
 1 372 05/06/07/08/09/15/16/17/18/19
 1 373 46/47/48/49/56/57/58/59 - 1 374 25/26/27/28/29/35/36/37/38/39
 1 375 26/27/28/29/36/37/38/39 - 1 376 05/06/07/08/09/15/16/17/18/19



CONTENTS

Page

| | |
|-----------------------------------|----|
| 1. Description, use | 1 |
| 2. Range | 1 |
| 3. Dimensions | 5 |
| 4. General characteristics | 6 |
| 5. Compliance and approvals | 11 |
| 6. Installation add-ons | 11 |

1. DESCRIPTION, USE

Surface-mounting cabinets with 1 to 4 rows, 4 to 22 modules depending on the model, for residential and small commercial installations.
 2 door finishes: white or transparent (smoked)
 Conforming to standard IEC 60 670-24 Edition 2.0 2011-03
 Used to create assemblies conforming to IEC 61 439-3 Edition 1.0 2012-02
 These cabinets are only designed for wall-mounting installation
 Space under rails: 10 mm
 Distance between rails: 150 mm

2. RANGE

| Cat. No. | No. of rows | No. of modules per row | Door colour | Terminal block | Terminal block short-circuit current |
|----------|-------------|------------------------|-------------|-----------------|--------------------------------------|
| 1 341 24 | 1 | 4 | white | Earth | 6 kA |
| 1 342 04 | | | white | Earth + Neutral | |
| 1 346 04 | | | white | Earth + Neutral | |
| 1 341 34 | | | transparent | Earth | |
| 1 342 14 | | | transparent | Earth + Neutral | |
| 1 346 14 | | | transparent | Earth + Neutral | |
| 1 341 28 | 1 | 8 | white | Earth | 6 kA |
| 1 342 08 | | | white | Earth + Neutral | |
| 1 343 48 | | | white | X Neutral | |
| 1 346 08 | | | white | Earth + Neutral | |
| 1 341 38 | | | transparent | Earth | |
| 1 342 18 | | | transparent | Earth + Neutral | |
| 1 346 18 | | | transparent | Earth + Neutral | |
| 1 343 58 | | | transparent | X Neutral | |

**Practibox S surface-mounting cabinets
with unprotected terminal blocks on
a support**

Cat. No(s): 1 341 24/28/34/38 - 1 342 04/08/14/18
1 343 48/58 - 1 346 04/08/14/18 - 1 351 21/22/23/24/31/32/33/34
1 352 01/02/03/04/11/12/13/14
1 353 41/42/43/44/51/52/53/54 - 1 354 21/22/23/24/31/32/33/34
1 356 01/02/03/04/11/12/13/14 - 1 371 25/26/27/28/29/35/36/37/38/39
1 372 05/06/07/08/09/15/16/17/18/19
1 373 46/47/48/49/56/57/58/59 - 1 374 25/26/27/28/29/35/36/37/38/39
1 375 26/27/28/29/36/37/38/39 - 1 376 05/06/07/08/09/15/16/17/18/19

2. RANGES (continued)

| Cat. No. | No. of rows | No. of modules per row | Door colour | Terminal block | Terminal block short-circuit current | | |
|----------|-------------|------------------------|-------------|-------------------|--------------------------------------|-----------------|------|
| 1 351 21 | 1 | 12 | white | Earth | 6 kA | | |
| 1 352 01 | | | white | Earth + Neutral | | | |
| 1 353 41 | | | white | X Neutral | 6 kA | | |
| 1 354 21 | | | white | Earth + X Neutral | | | |
| 1 356 01 | | | white | Earth + Neutral | | | |
| 1 351 31 | | | transparent | Earth | | | |
| 1 352 11 | | | transparent | Earth + Neutral | | | |
| 1 353 51 | | | transparent | X Neutral | | | |
| 1 354 31 | | | transparent | Earth + X Neutral | 6 kA | | |
| 1 356 11 | | | transparent | Earth + Neutral | | | |
| 1 351 22 | | | 2 | 12 | white | Earth | 6 kA |
| 1 352 02 | | | | | white | Earth + Neutral | |
| 1 353 42 | white | X Neutral | | | 6 kA | | |
| 1 354 22 | white | Earth + X Neutral | | | | | |
| 1 356 02 | white | Earth + Neutral | | | | | |
| 1 351 32 | transparent | Earth | | | | | |
| 1 352 12 | transparent | Earth + Neutral | | | | | |
| 1 353 52 | transparent | X Neutral | | | | | |
| 1 354 32 | transparent | Earth + X Neutral | | | 6 kA | | |
| 1 356 12 | transparent | Earth + Neutral | | | | | |
| 1 351 23 | 3 | 12 | | | white | Earth | 6 kA |
| 1 352 03 | | | | | white | Earth + Neutral | |
| 1 353 43 | | | white | X Neutral | 6 kA | | |
| 1 354 23 | | | white | Earth + X Neutral | | | |
| 1 356 03 | | | white | Earth + Neutral | | | |
| 1 351 33 | | | transparent | Earth | | | |
| 1 352 13 | | | transparent | Earth + Neutral | | | |
| 1 353 53 | | | transparent | X Neutral | | | |
| 1 354 33 | | | transparent | Earth + X Neutral | 6 kA | | |
| 1 356 13 | | | transparent | Earth + Neutral | | | |

**Practibox S surface-mounting cabinets
with unprotected terminal blocks on
a support**

Cat. No(s): 1 341 24/28/34/38 - 1 342 04/08/14/18
 1 343 48/58 - 1 346 04/08/14/18 - 1 351 21/22/23/24/31/32/33/34
 1 352 01/02/03/04/11/12/13/14
 1 353 41/42/43/44/51/52/53/54 - 1 354 21/22/23/24/31/32/33/34
 1 356 01/02/03/04/11/12/13/14 - 1 371 25/26/27/28/29/35/36/37/38/39
 1 372 05/06/07/08/09/15/16/17/18/19
 1 373 46/47/48/49/56/57/58/59 - 1 374 25/26/27/28/29/35/36/37/38/39
 1 375 26/27/28/29/36/37/38/39 - 1 376 05/06/07/08/09/15/16/17/18/19

2. RANGES (continued)

| Cat. No. | No. of rows | No. of modules per row | Door colour | Terminal block | Terminal block short-circuit current | | |
|----------|-------------|------------------------|-------------|-------------------|--------------------------------------|-------|-----------------|
| 1 351 24 | 4 | 12 | white | Earth | 6 kA | | |
| 1 352 04 | | | white | Earth + Neutral | | | |
| 1 353 44 | | | white | X Neutral | | | |
| 1 354 24 | | | white | Earth + X Neutral | 6 kA | | |
| 1 356 04 | | | white | Earth + Neutral | | | |
| 1 351 34 | | | transparent | Earth | | | |
| 1 352 14 | | | transparent | Earth + Neutral | 6 kA | | |
| 1 353 54 | | | transparent | X Neutral | | | |
| 1 354 34 | | | transparent | Earth + X Neutral | | | |
| 1 356 14 | | | transparent | Earth + Neutral | 10 kA | | |
| 1 371 26 | | | 1 | 18 | | white | Earth |
| 1 372 06 | | | | | | white | Earth + Neutral |
| 1 373 46 | white | X Neutral | | | | | |
| 1 374 26 | white | Earth + X Neutral | | | | | |
| 1 375 26 | white | Earth | | | | | |
| 1 376 06 | white | Earth + Neutral | | | | | |
| 1 371 36 | transparent | Earth | | | | | |
| 1 372 16 | transparent | Earth + Neutral | | | | | |
| 1 373 56 | transparent | X Neutral | | | | | |
| 1 374 36 | transparent | Earth + X Neutral | | | | | |
| 1 375 36 | transparent | Earth | | | | | |
| 1 376 16 | transparent | Earth + Neutral | | | | | |
| 1 371 27 | 2 | 18 | white | Earth | 10 kA | | |
| 1 372 07 | | | white | Earth + Neutral | | | |
| 1 374 27 | | | white | Earth + X Neutral | | | |
| 1 375 27 | | | white | Earth | | | |
| 1 376 07 | | | white | Earth + Neutral | | | |
| 1 373 47 | | | white | X Neutral | | | |
| 1 371 37 | | | transparent | Earth | | | |
| 1 372 17 | | | transparent | Earth + Neutral | | | |
| 1 374 37 | | | transparent | Earth + X Neutral | | | |
| 1 375 37 | | | transparent | Earth | | | |
| 1 376 17 | | | transparent | Earth + Neutral | | | |
| 1 373 57 | | | transparent | X Neutral | | | |

**Practibox S surface-mounting cabinets
with unprotected terminal blocks on
a support**

Cat. No(s): 1 341 24/28/34/38 - 1 342 04/08/14/18
1 343 48/58 - 1 346 04/08/14/18 - 1 351 21/22/23/24/31/32/33/34
1 352 01/02/03/04/11/12/13/14
1 353 41/42/43/44/51/52/53/54 - 1 354 21/22/23/24/31/32/33/34
1 356 01/02/03/04/11/12/13/14 - 1 371 25/26/27/28/29/35/36/37/38/39
1 372 05/06/07/08/09/15/16/17/18/19
1 373 46/47/48/49/56/57/58/59 - 1 374 25/26/27/28/29/35/36/37/38/39
1 375 26/27/28/29/36/37/38/39 - 1 376 05/06/07/08/09/15/16/17/18/19

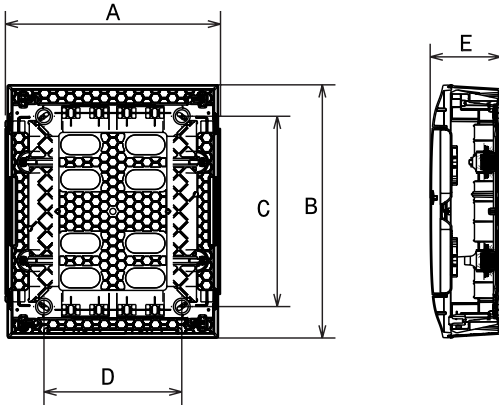
2. RANGES (continued)

| Cat. Nos. | No. of rows | No. of modules per row | Door colour | Terminal block | Terminal block short-circuit current |
|-----------|-------------|------------------------|-------------|-------------------|--------------------------------------|
| 1 371 28 | 3 | 18 | white | Earth | 10 kA |
| 1 372 08 | | | white | Earth + Neutral | |
| 1 373 48 | | | white | X Neutral | |
| 1 374 28 | | | white | Earth + X Neutral | |
| 1 375 28 | | | white | Earth | |
| 1 376 08 | | | white | Earth + Neutral | |
| 1 371 38 | | | transparent | Earth | |
| 1 372 18 | | | transparent | Earth + Neutral | |
| 1 373 58 | | | transparent | X Neutral | |
| 1 374 38 | | | transparent | Earth + X Neutral | |
| 1 375 38 | | | transparent | Earth | |
| 1 376 18 | | | transparent | Earth + Neutral | |
| 1 371 29 | | | 4 | 18 | |
| 1 372 09 | white | Earth + Neutral | | | |
| 1 373 49 | white | X Neutral | | | |
| 1 374 29 | white | Earth + X Neutral | | | |
| 1 375 29 | white | Earth | | | |
| 1 376 09 | white | Earth + Neutral | | | |
| 1 371 39 | transparent | Earth | | | |
| 1 372 19 | transparent | Earth + Neutral | | | |
| 1 373 59 | transparent | X Neutral | | | |
| 1 374 39 | transparent | Earth + X Neutral | | | |
| 1 375 39 | transparent | Earth | | | |
| 1 376 19 | transparent | Earth + Neutral | | | |
| 1 371 25 | 1 | 22 | | | white |
| 1 372 05 | | | white | Earth + Neutral | |
| 1 374 25 | | | white | Earth + X Neutral | |
| 1 376 05 | | | white | Earth + Neutral | |
| 1 371 35 | | | transparent | Earth | |
| 1 372 15 | | | transparent | Earth + Neutral | |
| 1 374 35 | | | transparent | Earth + X Neutral | |
| 1 376 15 | | | transparent | Earth + Neutral | |

Practibox S surface-mounting cabinets with unprotected terminal blocks on a support

Cat. No(s): 1 341 24/28/34/38 - 1 342 04/08/14/18
 1 343 48/58 - 1 346 04/08/14/18 - 1 351 21/22/23/24/31/32/33/34
 1 352 01/02/03/04/11/12/13/14
 1 353 41/42/43/44/51/52/53/54 - 1 354 21/22/23/24/31/32/33/34
 1 356 01/02/03/04/11/12/13/14 - 1 371 25/26/27/28/29/35/36/37/38/39
 1 372 05/06/07/08/09/15/16/17/18/19
 1 373 46/47/48/49/56/57/58/59 - 1 374 25/26/27/28/29/35/36/37/38/39
 1 375 26/27/28/29/36/37/38/39 - 1 376 05/06/07/08/09/15/16/17/18/19

3. DIMENSIONS



| Cat. Nos. | No. of rows | No. of modules per row | A (mm) | B (mm) | C (mm) | D (mm) | E (mm) |
|--|-------------|------------------------|--------|--------|--------|--------|--------|
| 1 341 24/34 - 1 342 04/14 - 1 346 04/14 | 1 | 4 | 184 | 216 | 120 | 72 | 100 |
| 1 341 28/38 - 1 342 08/18 - 1 343 48/58 - 1 346 08/18 | 1 | 8 | 256 | 226 | 120 | 150 | 100 |
| 1 351 21/31 - 1 352 01/11 - 1 353 41/51 - 1 354 21/31 1 356 01/11 | 1 | 12 | 328 | 236 | 140 | 210 | 107 |
| 1 351 22/32 - 1 352 02/12 1 353 42/52 - 1 354 22/32 - 1 356 02/12 | 2 | 12 | 328 | 386 | 290 | 210 | 108 |
| 1 351 23/33 - 1 352 03/13 1 353 43/53 - 1 354 23/33 - 1 356 03/13 | 3 | 12 | 328 | 536 | 440 | 210 | 108 |
| 1 351 24/34 - 1 352 04/14 1 353 44/54 - 1 354 24/34 - 1 356 04/14 | 4 | 12 | 328 | 766 | 600 | 210 | 108 |
| 1 371 26/36 - 1 372 06/16 1 373 46/56 - 1 374 26/36 - 1 375 26/36 - 1 376 06/16 | 1 | 18 | 436 | 236 | 140 | 320 | 107 |
| 1 371 27/37 - 1 372 07/17 - 1 373 47/57 1 374 27/37 - 1 375 27/37 - 1 376 07/17 | 2 | 18 | 436 | 386 | 290 | 320 | 108 |
| 1 371 28/38 - 1 372 08/18 1 373 48/58 - 1 374 28/38 - 1 375 28/38 - 1 376 08/18 | 3 | 18 | 436 | 616 | 470 | 320 | 108 |
| 1 371 29/39 - 1 372 09/19 1 373 49/59 - 1 374 29/39 - 1 375 29/39 - 1 376 09/19 | 4 | 18 | 436 | 766 | 620 | 320 | 108 |
| 1 371 25/35 - 1 372 05/15 1 374 25/35 - 1 376 05/15 | 1 | 22 | 508 | 236 | 140 | 390 | 107 |

Practibox S surface-mounting cabinets with unprotected terminal blocks on a support

Cat. No(s): 1 341 24/28/34/38 - 1 342 04/08/14/18
1 343 48/58 - 1 346 04/08/14/18 - 1 351 21/22/23/24/31/32/33/34
1 352 01/02/03/04/11/12/13/14
1 353 41/42/43/44/51/52/53/54 - 1 354 21/22/23/24/31/32/33/34
1 356 01/02/03/04/11/12/13/14 - 1 371 25/26/27/28/29/35/36/37/38/39
1 372 05/06/07/08/09/15/16/17/18/19
1 373 46/47/48/49/56/57/58/59 - 1 374 25/26/27/28/29/35/36/37/38/39
1 375 26/27/28/29/36/37/38/39 - 1 376 05/06/07/08/09/15/16/17/18/19

4. GENERAL CHARACTERISTICS

■ 4.1 Technical characteristics

- . Cover colour: white RAL 9003
- . Door colour: white RAL 9003 or transparent (smoked)
- . Protection index: IP40 - IK07 with door conforming to IEC 60 670-24 Edition 2.0 2011-03
- . Self-extinguishing in accordance with IEC 60695-2-11 Edition 2.0 2014-02: 650°C
- . Class II double insulation
- . Rated operating voltage: 400 VAC - 50/60 Hz
- . Rated insulation voltage: 400 VAC - 50/60 Hz
- . Rated impulse withstand voltage: Uimp = 6 kV
- . Short-circuit current: Icc max 10 kA
- . Storage and installation temperature: -25°C to +70°C
- . Usage temperature: -10°C to +40°C
- . Permissible loads: 40 N per row
- . Operating torque of cover screws: 1.2 Nm
- . Enclosures classified GP and PD
- . Maximum permissible current and dissipated power:

| Cat. Nos. | No. of rows | Modules per row | Max. permissible current (A) | Dissipated power (Pde) |
|---|-------------|-----------------|------------------------------|------------------------|
| 1 341 24/34 - 1 342 04/14 - 1 346 04/14 | 1 | 4 | 40 A | 12 W |
| 1 341 28/38 - 1 342 08/18 - 1 343 48/58 - 1 346 08/18 | 1 | 8 | 63 A | 14 W |
| 1 351 21/31 - 1 352 01/11 - 1 353 41/51 1 354 21/31 - 1 356 01/11 | 1 | 12 | 63 A | 19 W |
| 1 351 22/32 - 1 352 02/12/19 - 1 353 42/52 1 354 22/32 - 1 356 02/12 | 2 | 12 | 90 A | 28 W |
| 1 351 23/33 - 1 352 03/13 - 1 353 43/53 1 354 23/33 - 1 356 03/13 | 3 | 12 | 90 A | 38 W |
| 1 351 24/34 - 1 352 04/14 - 1 353 44/54 1 354 24/34 - 1 356 04/14 | 4 | 12 | 90 A | 50 W |
| 1 371 26/36 - 1 372 06/16 - 1 373 46/56 1 374 26/36 - 1 375 26/36 - 1 376 06/16 | 1 | 18 | 63 A | 25 W |
| 1 371 27/37 - 1 372 07/17 - 1 373 47/57 1 374 27/37 - 1 375 27/37 - 1 376 07/17 | 2 | 18 | 90 A | 35 W |
| 1 371 28/38 - 1 372 08/18 - 1 373 48/58 1 374 28/38 - 1 375 28/38 - 1 376 08/18 | 3 | 18 | 90 A | 49 W |
| 1 371 29/39 - 1 372 09/19 - 1 373 49/59 1 374 29/39 - 1 375 029/39 - 1 376 09/19 | 4 | 18 | 90 A | 58 W |
| 1 371 35 - 1 372 05/15 - 1 374 25/35 1 376 05/15 | 1 | 22 | 90 A | 30 W |

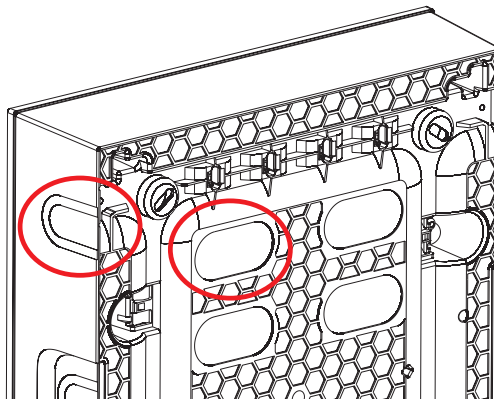
**Practibox S surface-mounting cabinets
with unprotected terminal blocks on
a support**

Cat. No(s): 1 341 24/28/34/38 - 1 342 04/08/14/18
1 343 48/58 - 1 346 04/08/14/18 - 1 351 21/22/23/24/31/32/33/34
1 352 01/02/03/04/11/12/13/14
1 353 41/42/43/44/51/52/53/54 - 1 354 21/22/23/24/31/32/33/34
1 356 01/02/03/04/11/12/13/14 - 1 371 25/26/27/28/29/35/36/37/38/39
1 372 05/06/07/08/09/15/16/17/18/19
1 373 46/47/48/49/56/57/58/59 - 1 374 25/26/27/28/29/35/36/37/38/39
1 375 26/27/28/29/36/37/38/39 - 1 376 05/06/07/08/09/15/16/17/18/19

4. GENERAL CHARACTERISTICS (continued)

■ **4.2 Tube entries**

| Cat. Nos. | No. of rows | No. of modules per row | Ø30 mm tube at the back of the box | Ø30 mm tube on the right of the box | Ø30 mm tube on the left of the box | 46x30 mm oblong hole at the back of the box |
|---|-------------|------------------------|------------------------------------|-------------------------------------|------------------------------------|---|
| 1 341 24/34 - 1 342 04/14 - 1 346 04/14 | 1 | 4 | 2 | 2 | 2 | - |
| 1 341 28/38 - 1 342 08/18 - 1 343 48/58 - 1 346 08/18 | 1 | 8 | - | 2 | 2 | 2 |
| 1 351 21/31 - 1 352 01/11 - 1 353 41/51 1 354 21/31 - 1 356 01/11 | 1 | 12 | - | 2 | 2 | 4 |
| 1 351 22/32 - 1 352 02/12/19 - 1 353 42/52 1 354 22/32 - 1 356 02/12 | 2 | 12 | - | 4 | 4 | 8 |
| 1 351 23/33 - 1 352 03/13 - 1 353 43/53 1 354 23/33 - 1 356 03/13 | 3 | 12 | - | 6 | 6 | 12 |
| 1 351 24/34 - 1 352 04/14 - 1 353 44/54 1 354 24/34 - 1 356 04/14 | 4 | 12 | - | 8 | 8 | 16 |
| 1 371 26/36 - 1 372 06/16 - 1 373 46/56 1 374 26/36 - 1 375 26/36 - 1 376 06/16 | 1 | 18 | - | 2 | 2 | 6 |
| 1 371 27/37 - 1 372 07/17 - 1 373 47/57 1 374 27/37 - 1 375 27/37 - 1 376 07/17 | 2 | 18 | - | 4 | 4 | 12 |
| 1 371 28/38 - 1 372 08/18 - 1 373 48/58 1 374 28/38 - 1 375 28/38 - 1 376 08/18 | 3 | 18 | - | 6 | 6 | 18 |
| 1 371 29/39 - 1 372 09/19 - 1 373 49/59 1 374 29/39 - 1 375 029/39 - 1 376 09/19 | 4 | 18 | - | 8 | 8 | 24 |
| 1 371 25/35 - 1 372 05/15 - 1 374 25/35 1 376 05/15 | 1 | 22 | - | 2 | 2 | 8 |

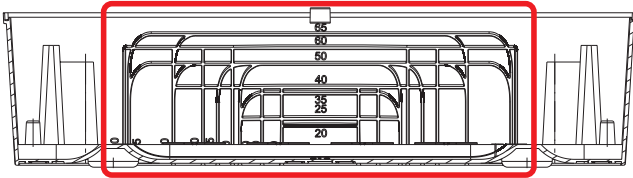


Practibox S surface-mounting cabinets with unprotected terminal blocks on a support

Cat. No(s): 1 341 24/28/34/38 - 1 342 04/08/14/18
 1 343 48/58 - 1 346 04/08/14/18 - 1 351 21/22/23/24/31/32/33/34
 1 352 01/02/03/04/11/12/13/14
 1 353 41/42/43/44/51/52/53/54 - 1 354 21/22/23/24/31/32/33/34
 1 356 01/02/03/04/11/12/13/14 - 1 371 25/26/27/28/29/35/36/37/38/39
 1 372 05/06/07/08/09/15/16/17/18/19
 1 373 46/47/48/49/56/57/58/59 - 1 374 25/26/27/28/29/35/36/37/38/39
 1 375 26/27/28/29/36/37/38/39 - 1 376 05/06/07/08/09/15/16/17/18/19

4. GENERAL CHARACTERISTICS (continued)

4.3 Duct entries



| Cat. Nos. | No. of rows | No. of modules per row | 105x35 mm or 105x50 mm duct on right of cabinet | 105x35 mm or 105x50 mm duct on left of cabinet | 25x20 mm to 90x60 mm duct at top of cabinet | 40x20 mm to 200x65 mm duct at top of cabinet |
|--|-------------|------------------------|---|--|---|--|
| 1 341 24/34 - 1 342 04/14 - 1 346 04/14 | 1 | 4 | - | - | 1 | - |
| 1 341 28/38 - 1 342 08/18 - 1 343 48/58 - 1 346 08/18 | 1 | 8 | - | - | 1 | - |
| 1 351 21/31 - 1 352 01/11/19 1 353 41/51 - 1 354 21/31 - 1 356 01/11 | 1 | 12 | - | - | - | 1 |
| 1 351 22/32 - 1 352 02/12 1 353 42/52 - 1 354 22/32 - 1 356 02/12 | 2 | 12 | 1 | 1 | - | 1 |
| 1 351 23/33 - 1 352 03/13 1 353 43/53 - 1 354 23/33 - 1 356 03/13 | 3 | 12 | 2 | 2 | - | 1 |
| 1 351 24/34 - 1 352 04/14 1 353 44/54 - 1 354 24/34 - 1 356 04/14 | 4 | 12 | 3 | 3 | - | 1 |
| 1 371 26/36 - 1 372 06/16 1 373 46/56 - 1 374 26/36 1 375 26/36 - 1 376 06/16 | 1 | 18 | - | - | - | 1 |
| 1 371 27/37 - 1 372 07/17 1 373 47/57 - 1 374 27/37 1 375 27/37 - 1 376 07/17 | 2 | 18 | 1 | 1 | - | 1 |
| 1 371 28/38 - 1 372 08/18 1 373 48/58 - 1 374 28/38 1 375 28/38 - 1 376 08/18 | 3 | 18 | 2 | 2 | - | 1 |
| 1 371 29/39 - 1 372 09/19 1 373 49/59 - 1 374 29/39 1 375 029/39 - 1 376 09/19 | 4 | 18 | 3 | 3 | - | 1 |
| 1 371 25/35 - 1 372 05/15 1 374 25/35 - 1 376 05/15 | 1 | 22 | - | - | - | 1 |

4.4 Materials

- . Cover, base, white door, blanking plate: polystyrene (PS)
- . Transparent door: Methacrylate Acrylonitrile Butadiene Styrene (MABS)
- . Rails: galvanised steel
- . Screws: steel
- . Terminal block support: polycarbonate (PC)
- . Injection-moulded caps: Styrene Butadiene Styrene (SBS)
- . Terminal block: brass

Practibox S surface-mounting cabinets with unprotected terminal blocks on a support

Cat. No(s): 1 341 24/28/34/38 - 1 342 04/08/14/18
1 343 48/58 - 1 346 04/08/14/18 - 1 351 21/22/23/24/31/32/33/34
1 352 01/02/03/04/11/12/13/14
1 353 41/42/43/44/51/52/53/54 - 1 354 21/22/23/24/31/32/33/34
1 356 01/02/03/04/11/12/13/14 - 1 371 25/26/27/28/29/35/36/37/38/39
1 372 05/06/07/08/09/15/16/17/18/19
1 373 46/47/48/49/56/57/58/59 - 1 374 25/26/27/28/29/35/36/37/38/39
1 375 26/27/28/29/36/37/38/39 - 1 376 05/06/07/08/09/15/16/17/18/19

4. GENERAL CHARACTERISTICS (continued)

■ 4.5 Terminal block capacity

Cabinets with 1x4, 1x8, 1x12, 1x18 modules

| Cat. Nos. | No. of rows | Modules per row | Earth terminal block, screw terminals | | | Neutral terminal block, screw terminals | | |
|--|-------------|-----------------|---------------------------------------|------------------------|------------------------|---|------------------------|------------------------|
| | | | 6-25 mm ² | 1.5-16 mm ² | 1.5-10 mm ² | 6-25 mm ² | 1.5-16 mm ² | 1.5-10 mm ² |
| 1 341 24/34 | 1 | 4 | - | 2 | 2 | - | - | - |
| 1 342 04/14 - 1 346 04/14 | | | - | 2 | 2 | - | 2 | 2 |
| 1 341 28/38 | 1 | 8 | - | 3 | 3 | - | - | - |
| 1 343 48/58 | | | - | - | - | - | 3 | 3 |
| 1 342 08/18 - 1 346 08/18 | | | - | 3 | 3 | - | 3 | 3 |
| 1 351 21/31 | 1 | 12 | - | 5 | 5 | - | - | - |
| 1 353 41/51 | | | - | - | - | - | 5 | 5 |
| 1 352 01/11 1 354 21/31 - 1 356 01/11 | | | - | 5 | 5 | - | 5 | 5 |
| 1 371 26/36 - 1 375 26/36 | 1 | 18 | 1 | 12 | - | - | - | - |
| 1 373 46/56 | | | - | - | - | 1 | 12 | - |
| 1 372 06/16 1 374 26/36 - 1 376 06/16 | | | 1 | 12 | - | 1 | 12 | - |
| 1 375 26/36 | | | 1 | 16 | - | - | - | - |

Cabinets with 12 multi-row modules

| Cat. Nos. | No. of rows | Modules per row | Earth terminal block | | | Neutral terminal block | | |
|----------------------------|-------------|-----------------|----------------------|------------------------|------------------------|------------------------|------------------------|------------------------|
| | | | Screw terminals | | | Screw terminals | | |
| | | | 6-25 mm ² | 1.5-16 mm ² | 1.5-10 mm ² | 6-25 mm ² | 1.5-16 mm ² | 1.5-10 mm ² |
| 1 351 22/32 | 2 | 12 | - | 8 | 8 | - | - | - |
| 1 353 42/52 | | | - | - | - | - | 2x5 | 2x5 |
| 1 352 02/12 3 356 02/12 | | | - | 8 | 8 | - | 8 | 8 |
| 1 354 22/32 | 3 | 12 | - | 9 | 9 | - | 2x5 | 2x5 |
| 1 351 23/33 | | | - | 12 | 12 | - | - | - |
| 1 353 43/53 | | | - | - | - | - | 3x5 | 3x5 |
| 1 352 03/13 1 356 03/13 | | | - | 12 | 12 | - | 12 | 12 |
| 1 354 23/33 | 4 | 12 | - | 14 | 14 | - | 2x5 | 2x5 |
| 1 351 24/34 | | | - | 16 | 16 | - | - | - |
| 1 353 44/54 | | | - | - | - | - | 4x5 | 4x5 |
| 1 352 04/14 1 356 04/14 | | | - | 16 | 16 | - | 16 | 16 |
| 1 354 24/34 | | | - | 16 | 16 | - | 2x5 | 2x5 |

Practibox S surface-mounting cabinets with unprotected terminal blocks on a support

Cat. No(s): 1 341 24/28/34/38 - 1 342 04/08/14/18
1 343 48/58 - 1 346 04/08/14/18 - 1 351 21/22/23/24/31/32/33/34
1 352 01/02/03/04/11/12/13/14
1 353 41/42/43/44/51/52/53/54 - 1 354 21/22/23/24/31/32/33/34
1 356 01/02/03/04/11/12/13/14 - 1 371 25/26/27/28/29/35/36/37/38/39
1 372 05/06/07/08/09/15/16/17/18/19
1 373 46/47/48/49/56/57/58/59 - 1 374 25/26/27/28/29/35/36/37/38/39
1 375 26/27/28/29/36/37/38/39 - 1 376 05/06/07/08/09/15/16/17/18/19

4. GENERAL CHARACTERISTICS (continued)

Cabinets with 18 multi-row modules

| Cat. Nos. | No. of rows | Modules per row | Earth terminal block | | | Neutral terminal block | | |
|----------------------------|-------------|-----------------|----------------------|------------------------|------------------------|------------------------|------------------------|------------------------|
| | | | Screw terminals | | | Screw terminals | | |
| | | | 6-25 mm ² | 1.5-16 mm ² | 1.5-10 mm ² | 6-25 mm ² | 1.5-16 mm ² | 1.5-10 mm ² |
| 1 373 47/57 | 2 | 18 | - | - | - | 2x1 | 2x12 | - |
| 1 371 27/37 | | | 1 | 21 | - | - | - | - |
| 1 375 27/37 | | | 1 | 26 | - | - | - | - |
| 1 372 07/17 1 376 07/17 | | | 1 | 21 | - | 1 | 21 | - |
| 1 374 27/37 | | | 1 | 26 | - | 2x1 | 2x12 | - |
| 1 371 28/38 1 375 28/38 | 3 | 18 | 2 | 33 | - | - | - | - |
| 1 372 08/18 1 376 08/18 | | | 2 | 33 | - | 2 | 33 | - |
| 1 374 28/38 | | | 2 | 33 | - | 2x1 | 2x12 | - |
| 1 373 48/58 | | | - | - | - | 3x1 | 3x12 | - |
| 1 371 29/39 1 375 29/39 | 4 | 18 | 2 | 33 | - | - | - | - |
| 1 373 49/59 | | | - | - | - | 4x1 | 4x12 | - |
| 1 372 09/19 1 376 09/19 | | | 2 | 33 | - | 2 | 33 | - |
| 1 374 29/39 | | | 2 | 33 | -- | 2x1 | 2x12 | - |

22-module cabinets

| Cat. Nos. | No. of rows | Modules per row | Earth terminal block, screw terminals | | | Neutral terminal block, screw terminals | | |
|--|-------------|-----------------|---------------------------------------|------------------------|------------------------|---|------------------------|------------------------|
| | | | 6-25 mm ² | 1.5-16 mm ² | 1.5-10 mm ² | 6-25 mm ² | 1.5-16 mm ² | 1.5-10 mm ² |
| 1 371 25/35 | 1 | 22 | 1 | 16 | - | - | - | - |
| 1 372 05/15 1 374 25/35 - 1 376 05/15 | | | 1 | 16 | - | 1 | 16 | - |

Additional terminal blocks (see section 6.4, page 12)

4.6 Accessories supplied with the cabinet

| Cat. Nos. | Number of rows | Modules per row | 5-module blanking plate | Module identification labels |
|--|----------------|-----------------|-------------------------|------------------------------|
| 1 341 24/34 - 1 342 04/14 - 1 346 04/14 | 1 | 4 | - | - |
| 1 341 28/38 - 1 342 08/18 - 1 343 48/58 - 1 346 08/18 | 1 | 8 | - | - |
| 1 353 41/51 - 1 354 21/31 | 1 | 12 | - | - |
| 1 351 21/31 - 1 352 01/11/19 1 356 01/11 | | | - | 1 |
| 1 353 42/52 | 2 | 12 | - | - |
| 1 354 22/32 | | | 1 | - |
| 1 351 22/32 - 1 352 02/12 1 356 02/12 | | | 1 | 2 |
| 1 353 43/53 | 3 | 12 | - | - |
| 1 354 23/33 | | | 1 | - |
| 1 351 23/33 - 1 352 03/13 1 356 03/13 | | | 1 | 3 |

Practibox S surface-mounting cabinets with unprotected terminal blocks on a support

Cat. No(s): 1 341 24/28/34/38 - 1 342 04/08/14/18
 1 343 48/58 - 1 346 04/08/14/18 - 1 351 21/22/23/24/31/32/33/34
 1 352 01/02/03/04/11/12/13/14
 1 353 41/42/43/44/51/52/53/54 - 1 354 21/22/23/24/31/32/33/34
 1 356 01/02/03/04/11/12/13/14 - 1 371 25/26/27/28/29/35/36/37/38/39
 1 372 05/06/07/08/09/15/16/17/18/19
 1 373 46/47/48/49/56/57/58/59 - 1 374 25/26/27/28/29/35/36/37/38/39
 1 375 26/27/28/29/36/37/38/39 - 1 376 05/06/07/08/09/15/16/17/18/19

4. GENERAL CHARACTERISTICS (continued)

| Cat. Nos. | Number of rows | Modules per row | 5-module blanking plate | Module identification labels |
|--|----------------|-----------------|-------------------------|------------------------------|
| 1 353 44/54 | 4 | 12 | - | - |
| 1 354 24/34 | | | 1 | - |
| 1 351 24/34 - 1 352 04/14 1 356 04/14 | | | 1 | 4 |
| 1 373 46/56 | 1 | 18 | - | - |
| 1 374 26/36 | | | 1 | - |
| 1 371 26/36 - 1 372 06/16 1 375 26/36 - 1 376 06/16 | | | 1 | 1 |
| 1 373 47/57 | 2 | 18 | - | - |
| 1 374 27/37 | | | 1 | - |
| 1 371 27/37 - 1 372 07/17 1 375 27/37 - 1 376 07/17 | | | 1 | 2 |
| 1 373 48/58 | 3 | 18 | - | - |
| 1 374 28/38 | | | 2 | - |
| 1 371 28/38 - 1 372 08/18 1 375 28/38 - 1 376 08/18 | | | 2 | 3 |
| 1 373 49/59 | 4 | 18 | - | - |
| 1 374 29/39 | | | 2 | - |
| 1 371 29/39 - 1 372 09/19 1 375 29/39 - 1 376 09/19 | | | 2 | 4 |
| 1 374 25/35 | 1 | 22 | 1 | - |
| 1 371 25/35 - 1 372 05/15 1 376 05/15 | | | 1 | 1 |

5. COMPLIANCE AND APPROVALS

IEC 60 670-24 Edition 2.0 2011-03

Used to create assemblies conforming to IEC 61 439-3 Edition 1.0 2012-02

IEC 60 695-2-11: 2014-09

RoHS

WEEE

REACH

PEP sheet

6. INSTALLATION ADD-ONS

■ 6.1 Key lock No. 850 Cat. No. 1 341 00



Practibox S surface-mounting cabinets with unprotected terminal blocks on a support

Cat. No(s): 1 341 24/28/34/38 - 1 342 04/08/14/18
 1 343 48/58 - 1 346 04/08/14/18 - 1 351 21/22/23/24/31/32/33/34
 1 352 01/02/03/04/11/12/13/14
 1 353 41/42/43/44/51/52/53/54 - 1 354 21/22/23/24/31/32/33/34
 1 356 01/02/03/04/11/12/13/14 - 1 371 25/26/27/28/29/35/36/37/38/39
 1 372 05/06/07/08/09/15/16/17/18/19
 1 373 46/47/48/49/56/57/58/59 - 1 374 25/26/27/28/29/35/36/37/38/39
 1 375 26/27/28/29/36/37/38/39 - 1 376 05/06/07/08/09/15/16/17/18/19

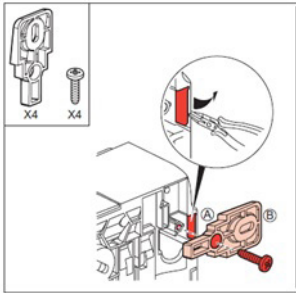
6. INSTALLATION ADD-ONS (continued)

6.2 External fixing lugs Cat. No. 4 018 56

External fixing lugs can be used on cabinets with 12-18 and 22 modules.

For external fixing if the fixing holes at the back of the cabinet have been rendered inaccessible by prewiring.

Tightening torque of external fixing lug screws: 1.2 Nm



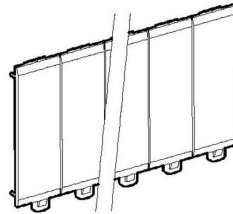
6.3 White RAL 9003 blanking plates

Can be separated for each module or half-module

5 modules: Cat. No. 0 016 60

13 modules: Cat. No. 0 016 62

18 modules: Cat. No. 0 016 64



6.4 Additional terminal blocks

Additional terminal blocks can be mounted at the top and bottom of cabinets in the designated areas.

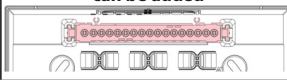
| Cat. Nos. | Size | Terminal block capacity | Supplied equipped with terminal block on support | | | Accessories | | | |
|---|-------|-------------------------|--|-----------------|--------------|------------------------------------|----------------------|--|----------------------|
| | | | | | | Terminal blocks which can be added | | Unprotected terminal blocks which can be added on existing support | |
| | | | No. | Type | No. of holes | Cat. Nos. | Max. no. to be added | Cat. Nos. | Max. no. to be added |
| 1 341 24/34 | 4M | 2 | - | - | - | 1 348 00/10 | 1 | - | - |
| 1 342 04/14 1 346 04/14 | | 2 | 1 | Earth | 4 | - | - | - | - |
| 1 341 28/38 | 8M | 2 | - | - | - | 1 348 01/11 | 1 | - | - |
| 1 343 48/58 | | 2 | 1 | Earth | 6 | - | - | 1 348 06 | 1 |
| 1 342 08/18 1 346 08/18 | | 2 | 1 | Neutral | 6 | 1 348 01/11 | 1 | 1 348 06 | 1 |
| 1 351 21/31 | 1x12M | 2 | - | - | - | - | - | - | - |
| 1 353 41/51 | | 2 | 1 | Earth + Neutral | 6 + 6 | 1 348 03/13 | 1 | - | - |
| 1 352 01/11 1 354 21/31 1 356 01/11 | | 2 | - | - | - | - | - | - | - |
| 1 342 08/18 1 346 08/18 | | 2 | 1 | Earth | 10 | 1 348 03/13 | 1 | 1 348 06/07 | 3/1 |
| 1 351 21/31 | 1x12M | 2 | - | - | - | - | - | - | - |
| 1 353 41/51 | | 2 | 1 | Neutral | 10 | 1 348 03/13 | 1 | 1 348 06/07 | 3/1 |
| 1 352 01/11 1 354 21/31 1 356 01/11 | 1x12M | 2 | 1 | Earth + Neutral | 10 + 10 | 1 348 03/13 | 1 | 1 348 06 | 1 |

Practibox S surface-mounting cabinets with unprotected terminal blocks on a support

Cat. No(s): 1 341 24/28/34/38 - 1 342 04/08/14/18
1 343 48/58 - 1 346 04/08/14/18 - 1 351 21/22/23/24/31/32/33/34
1 352 01/02/03/04/11/12/13/14
1 353 41/42/43/44/51/52/53/54 - 1 354 21/22/23/24/31/32/33/34
1 356 01/02/03/04/11/12/13/14 - 1 371 25/26/27/28/29/35/36/37/38/39
1 372 05/06/07/08/09/15/16/17/18/19
1 373 46/47/48/49/56/57/58/59 - 1 374 25/26/27/28/29/35/36/37/38/39
1 375 26/27/28/29/36/37/38/39 - 1 376 05/06/07/08/09/15/16/17/18/19

6. INSTALLATION ADD-ONS (continued)

6.4 Additional terminal blocks (continued)

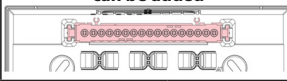
| Cat. Nos. | Size | Terminal block capacity | Supplied equipped with terminal block on support | | | Accessories | | | |
|----------------------------|-------|-------------------------|--|-----------------|--------------|--|-----------|--|-----------|
| | | | | | | Terminal blocks which can be added | | Unprotected terminal blocks which can be added on existing support | |
| | | | No. | Type | No. of holes |  | Cat. Nos. | Max. no. to be added | Cat. Nos. |
| 1 351 22/32 | 2x12M | 2 | - | - | - | 1 348 03/13 | 1 | - | - |
| 1 353 42/52 | | 2 | 1 | Earth | 16 | - | - | 1 348 06 | 2 |
| 1 352 02/12 1 356 02/12 | | 2 | - | Neutral | 2x10 | 1 348 03/13 | 1 | 1 348 06 | 1 |
| 1 354 22/32 | | 2 | 1 | Earth + Neutral | 2x16 | - | - | 1 348 06 | 1 |
| 1 351 23/33 | 3x12M | 2 | 1 | Earth | 24 | 1 348 03/13 | 1 | - | - |
| 1 353 43/53 | | 2 | - | Neutral | 3x10 | - | - | 1 348 06 | 1 |
| 1 352 03/13 1 356 03/13 | | 2 | 1 | Earth | 24 | 1 348 03/13 | 1 | 1 348 06/07 | 2/1 |
| 1 354 23/33 | | 2 | 1 | Earth | 2x10 | - | - | 1 348 06/07 | 2/1 |
| 1 351 24/34 | 4x12M | 4 | 1 | Earth | 32 | 1 348 03/13 | 1 | - | - |
| 1 353 44/54 | | 4 | 1 | Neutral | 2x10 | 1 348 03 | 1 | 1 348 06 | 1 |
| 1 352 04/14 1 356 04/14 | | 4 | 1 | Earth | 32 | 1 348 03/13 | 1 | 1 348 06 | 1 |
| 1 354 24/34 | | 4 | 1 | Earth | 32 | 1 348 03 | 1 | 1 348 06 | 1 |
| 1 371 26/36 | 1x18M | 2 | 1 | Earth | 13 | 1 348 05 | 1 | - | - |
| 1 375 26/36 | | 2 | 1 | Earth | 17 | 1 348 05 | 1 | - | - |
| 1 373 46/56 | | 2 | 1 | Neutral | 13 | 1 348 05 | 1 | - | - |
| 1 372 06/16 1 374 26/36 | | 2 | 1 | Earth + Neutral | 13 + 13 | 1 348 05 | 1 | - | - |
| 1 373 47/57 | 2x18M | 2 | 1 | Neutral | 2x13 | 1 348 05 | 1 | - | - |
| 1 371 27/37 | | 2 | 1 | Earth | 22 | 1 348 05 | 1 | - | - |
| 1 375 27/37 | | 2 | 1 | Earth | 27 | 1 348 05 | 1 | - | - |
| 1 372 07/17 1 376 07/17 | | 2 | 1 | Earth + Neutral | 22 + 22 | 1 348 05 | 1 | - | - |
| 1 374 27/37 | | 2 | 1 | Neutral | 2x13 | - | - | - | - |
| | | | 1 | Earth | 27 | - | - | - | - |

Practibox S surface-mounting cabinets with unprotected terminal blocks on a support

Cat. No(s): 1 341 24/28/34/38 - 1 342 04/08/14/18
 1 343 48/58 - 1 346 04/08/14/18 - 1 351 21/22/23/24/31/32/33/34
 1 352 01/02/03/04/11/12/13/14
 1 353 41/42/43/44/51/52/53/54 - 1 354 21/22/23/24/31/32/33/34
 1 356 01/02/03/04/11/12/13/14 - 1 371 25/26/27/28/29/35/36/37/38/39
 1 372 05/06/07/08/09/15/16/17/18/19
 1 373 46/47/48/49/56/57/58/59 - 1 374 25/26/27/28/29/35/36/37/38/39
 1 375 26/27/28/29/36/37/38/39 - 1 376 05/06/07/08/09/15/16/17/18/19

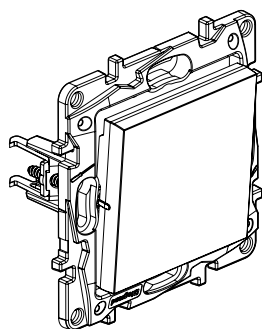
6. INSTALLATION ADD-ONS (continued)

6.4 Additional terminal blocks (continued)

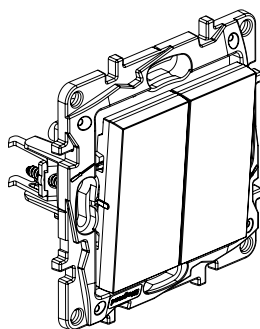
| Cat. Nos. | Size | Terminal block capacity | Supplied equipped with terminal block on support | | | Accessories | | | |
|---|-------|-------------------------|--|---------|--------------|--|----------------------|--|----------------------|
| | | | | | | Terminal blocks which can be added | | Unprotected terminal blocks which can be added on existing support | |
| | | | No. | Type | No. of holes |  | Max. no. to be added | Cat. Nos. | Max. no. to be added |
| 1 371 28/38 1 375 28/38 | 3x18M | 4 | - | - | - | 1 348 05/15 | 1 | | |
| | | | - | - | - | 1 348 05 | - | | |
| | | | - | - | - | 1 348 05 | - | | |
| | | | 1 | Earth | 35 | - | - | | |
| 1 372 08/18 1 376 08/18 | | 4 | 1 | Neutral | 35 | - | - | | |
| | | | - | - | - | 1 348 05/15 | 1 | | |
| | | | - | - | - | 1 348 05 | 1 | | |
| 1 374 28/38 | | 4 | 1 | Neutral | 2x13 | - | - | | |
| | | | - | - | - | 1 348 05/15 | 1 | | |
| | | | - | - | - | 1 348 05 | 1 | | |
| 1 373 48/58 | | 4 | 1 | Neutral | 2x13 | - | - | | |
| | | | 1 | Neutral | 13 | - | - | | |
| | - | | - | - | 1 348 05/15 | 1 | | | |
| | - | | - | - | 1 348 05 | 1 | | | |
| 1 371 29/39 1 375 29/39 | 4x18M | 4 | - | - | - | 1 348 05/15 | 1 | | |
| | | | - | - | - | 1 348 05 | 1 | | |
| | | | - | - | - | 1 348 05 | 1 | | |
| | | | 1 | Earth | 35 | - | - | | |
| 1 373 49/59 | | 4 | 1 | Neutral | 2x13 | - | - | | |
| | | | 1 | Neutral | 2x13 | - | - | | |
| | | | - | - | - | 1 348 05/15 | 1 | | |
| 1 372 09/19 1 376 09/19 | | 4 | 1 | Neutral | 35 | 1 348 05/15 | 2/1 | | |
| | | | 1 | Earth | 35 | - | - | | |
| | | | - | - | - | 1 348 05/15 | 1 | | |
| 1 374 29/39 | | 4 | 1 | Neutral | 2x13 | - | - | | |
| | | | - | - | - | 1 348 05/15 | 1 | | |
| | - | | - | - | 1 348 05 | 1 | | | |
| 1 371 25/1 35 | 1x22M | 2 | 1 | - | - | 1 348 16 | 1 | | |
| | | | - | Earth | 17 | - | - | | |
| 1 372 05/15 1 374 25/35 1 376 05/15 | 2 | 1 | Earth + Neutral | 17 + 17 | - | - | | | |
| | | - | - | - | 1 348 16 | 1 | | | |

Niloé™ Step Lighting controls 10 AX

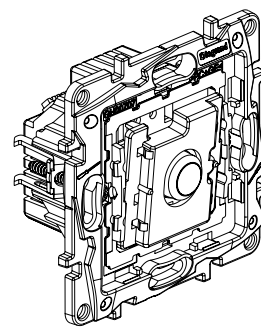
Cat. No(s): 8 640 01/03/05/06/07/08/09 - 8 641 01/03/05/06/07/08/09
 8 643 01/03/05/06/07/08/09 - 8 645 01/03/05/06/07/08/09
 8 646 01/03/05/06/07/08/09 - 8 649 01/05/06/07/08



8 649 01/06/07



8 649 05/07/08



8 640 09

1. USE

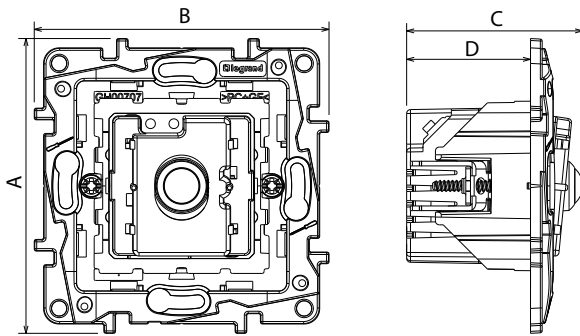
Lighting controls mechanisms 10 AX - 250 V~.
 Mechanisms supplied with protection cover.
 To be equipped with plates one or several gangs.
 Flush-mounting or surface-mounting.
 Screw or claw fixing.

2. RANGE

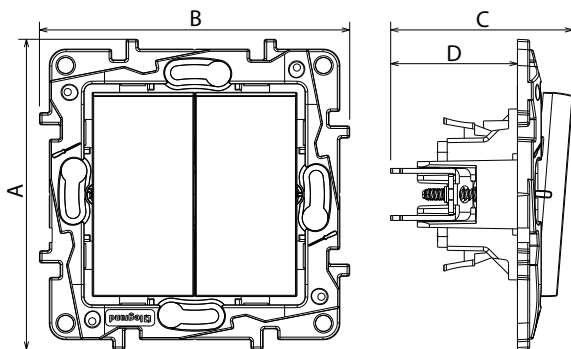
| Description | Mechanism only | Mechanism + Cover plate | Cover plate only | | | |
|---------------------------|----------------|-------------------------|------------------|-----------|----------|----------|
| | | White | White | Aluminium | Black | Sand |
| One-gang one-way switch | 8 640 01 | 8 649 01 | 8 641 01 | 8 643 01 | 8 645 01 | 8 646 01 |
| Two-gang one-way switch | 8 640 05 | 8 649 05 | 8 641 05 | 8 643 05 | 8 645 05 | 8 646 05 |
| Three-gang one-way switch | 8 640 03 | - | 8 641 03 | 8 643 03 | 8 645 03 | 8 646 03 |
| One-gang two-way switch | 8 640 06 | 8 649 06 | 8 641 06 | 8 643 06 | 8 645 06 | 8 646 06 |
| Two-gang two-way switch | 8 640 08 | 8 649 08 | 8 641 08 | 8 643 08 | 8 645 08 | 8 646 08 |
| Intermediate switch | 8 640 07 | 8 649 07 | 8 641 07 | 8 643 07 | 8 645 07 | 8 646 07 |
| Energy saving switch | 8 640 09 | - | 8 641 09 | 8 643 09 | 8 645 09 | 8 646 09 |

3. DIMENSIONS (mm)

Cat. No 8 640 0X



Cat. No 8 649 0X



| References | A | B | C | D |
|----------------------|------|------|------|----|
| 8 640 01/05/06/07/08 | 75.8 | 75.8 | 40.3 | 31 |
| 8 640 03 | 75.8 | 75.8 | 43 | 31 |
| 8 640 09 | 75.8 | 75.8 | 45.3 | 32 |
| 8 649 01/05/06/07/08 | 75.8 | 75.8 | 44.5 | 31 |

4. CONNECTION

Type of terminals: automatic
 For Cat. no : 8 640 03/07 - 8 649 07 : Screw terminals
 Capacity: 2 x 2.5 mm²
 Flexible or rigid cables compatible

| References | Stripping length (mm) |
|-------------------|-----------------------|
| 8 640 01/05/06/08 | 13 |
| 8 649 01/05/06/08 | |
| 8 640 03/07 | 10 |
| 8 649 07 | |
| 8 640 09 | 8 |

5. TECHNICAL CHARACTERISTICS

■ **5.1 Mechanical characteristics**

Protection against solid bodies and liquids: IP 20
 Protection against impact: IK 04

■ **5.2 Material characteristics**

Material : - Mechanism housing: PC
 - Rocker plate: ABS
 - Halogen free
 - UV resistant
 - Claws: steel
 Material of the support: - PC + FV
 - Halogen free

Self-extinguishing:

+ 850° C / 30 s for insulating parts holding live parts in place
 + 650° C / 30 s for other parts made of insulating materials

■ **5.3 Electrical characteristics**

Voltage: 250 V~
 Current: 10 AX
 Frequency: 50/60 Hz
 Maximum power on integrated ballast lamps: 100 W

■ **5.4 Climatic characteristics**

Storage and use temperature: - 5° C to + 35° C

6. MAINTENANCE

Surface cleaning with a cloth.
 Do not use: acetone, tar remover, trichloroethylene.

Maintenance with the following products: Hexane (EN 60669-1), Methylated spirit, Soapy water, Diluted ammonia, Bleach diluted to 10%, Window-cleaning products.

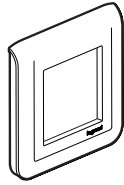
Caution: A preliminary test should be carried out if other specific cleaning products are to be used.

7. STANDARDS AND APPROVALS

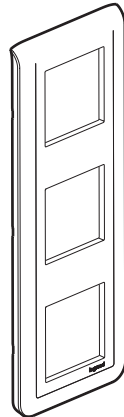
Compliance with standards of installation and manufacturing.
 Refer to e. catalogue.

Mosaic™ Cover plates

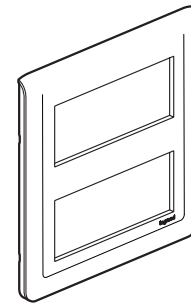
Cat. No(s): 0 788 01L/02L/03L/04L/06L/08L/10L/11L/14L/15L/16L/18L/22L/23L/25L/28L/30L/32L/36L/37L/38L/54L/56L/64L/66L
 0 793 01L/02L/03L/04L/06L/08L/10L/11L/14L/15L/16L/18L/22L/23L/25L/28L/30L/32L/36L/37L/38L/54L/64L
 0 790 42L/44L/46L/54L/56L/58L/62L/76L/77L - 0 994 84



0 788 02L
0 793 02L
0 790 42L



0 788 23L
0 793 23L



0 788 30L
0 793 30L

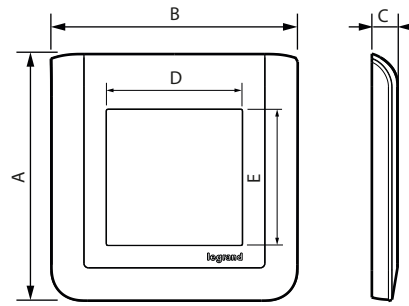
1. USE

Plates for covering mechanisms with 1 to 2 x 10 modules.

2. RANGE

| | White | Alu | Matte Black |
|-------------------------------------|-----------|-----------|-----------------------|
| 1 module narrow | 0 788 01L | 0 793 01L | - |
| 2 modules | 0 788 02L | 0 793 02L | 0 790 42L |
| 3 modules | 0 788 03L | 0 793 03L | - |
| 1-gang / 1 module | 0 788 11L | 0 793 11L | - |
| 4 modules - Horizontal | 0 788 14L | 0 793 14L | 0 790 54L 0 994 84 |
| 5 modules - Horizontal | 0 788 15L | 0 793 15L | - |
| 5 modules - Vertical | 0 788 25L | 0 793 25L | - |
| 6 modules - Horizontal | 0 788 16L | 0 793 16L | 0 790 56L |
| 8 modules - Horizontal | 0 788 18L | 0 793 18L | 0 790 58L |
| 10 modules - Horizontal | 0 788 10L | 0 793 10L | - |
| 2 x 2 modules - Horizontal | 0 788 04L | 0 793 04L | 0 790 44L |
| 2 x 2 modules - Vertical | 0 788 22L | 0 793 22L | 0 790 62L |
| 3 x 2 modules - Horizontal | 0 788 06L | 0 793 06L | 0 790 46L |
| 3 x 2 modules - Vertical | 0 788 23L | 0 793 23L | - |
| 4 x 2 modules - Horizontal | 0 788 08L | 0 793 08L | - |
| 2 x 5 modules | 0 788 30L | 0 793 30L | - |
| 2 x 6 modules | 0 788 36L | 0 793 36L | 0 790 76L |
| 2 x 8 modules | 0 788 37L | 0 793 37L | 0 790 77L |
| 2 x 10 modules | 0 788 28L | 0 793 28L | - |
| 2 x 3 x 2 modules | 0 788 32L | 0 793 32L | - |
| 2 x 2 x 2 modules | 0 788 38L | 0 793 38L | - |
| Plates 57 mm center distance | | | |
| 2 x 2 modules - Vertical | 0 788 54L | 0 793 54L | - |
| 2 x 2 modules - Horizontal | 0 788 64L | 0 793 64L | - |
| 3 x 2 modules - Vertical | 0 788 56L | - | - |
| 3 x 2 modules - Horizontal | 0 788 66L | - | - |

3. DIMENSIONS (mm)



| References | A | B | C | D | E |
|---|-----|-----|-----|-------|-------|
| 0 788 01L - 0 793 01L | 82 | 40 | 8.5 | 23 | 45.5 |
| 0 788 02L - 0 793 02L - 0 790 42L | 82 | 82 | 8.5 | 45.5 | 45.5 |
| 0 788 03L - 0 793 03L | 82 | 123 | 8.5 | 68 | 45.5 |
| 0 788 10L - 0 793 10L | 82 | 295 | 8.5 | 226.5 | 45.5 |
| 0 788 11L | 82 | 82 | 8.5 | 23 | 45.5 |
| 0 788 14L - 0 793 14L - 0 790 54L 0 994 84 | 82 | 153 | 8.5 | 91 | 45.5 |
| 0 788 15L - 0 793 15L | 82 | 153 | 8.5 | 113.5 | 45.5 |
| 0 788 16L - 0 793 16L - 0 790 56L | 82 | 224 | 8.5 | 136 | 45.5 |
| 0 788 18L - 0 793 18L - 0 790 58L | 82 | 224 | 8.5 | 181 | 45.5 |
| 0 788 04L - 0 793 04L - 0 790 44L | 82 | 153 | 8.5 | 45.5 | 45.5 |
| 0 788 06L - 0 793 06L - 0 790 46L | 82 | 224 | 8.5 | 45.5 | 45.5 |
| 0 788 08L - 0 793 08L | 82 | 295 | 8.5 | 45.5 | 45.5 |
| 0 788 22L - 0 790 22L - 0 790 62L | 153 | 82 | 8.5 | 45.5 | 45.5 |
| 0 788 23L - 0 790 23L | 224 | 82 | 8.5 | 45.5 | 45.5 |
| 0 788 25L - 0 793 25L | 153 | 82 | 8.5 | 45.5 | 113.5 |
| 0 788 28L - 0 793 28L | 166 | 318 | 8.5 | 226.5 | 45.5 |
| 0 788 30L - 0 790 30L | 166 | 166 | 9 | 113.5 | 45.5 |
| 0 788 36L - 0 793 36L - 0 790 76L | 166 | 237 | 9 | 136.5 | 45.5 |
| 0 788 37L - 0 793 37L - 0 790 77L | 166 | 237 | 9 | 182 | 45.5 |
| 0 788 32L - 0 793 32L | 166 | 237 | 9 | 45.5 | 45.5 |
| 0 788 38L - 0 793 38L | 166 | 166 | 9 | 45.5 | 45.5 |
| 0 788 54L - 0 793 54L | 139 | 82 | 8.5 | 45.5 | 45.5 |
| 0 788 56L | 196 | 82 | 8.5 | 45.5 | 45.5 |
| 0 788 64L - 0 793 64L | 82 | 139 | 8.5 | 45.5 | 45.5 |
| 0 788 66L | 82 | 196 | 8.5 | 45.5 | 45.5 |

4. TECHNICAL CHARACTERISTICS

■ 4.1 Mechanical characteristics

Impact test: IK 04

■ 4.2 Material characteristics

Halogen-free

UV-resistant

Material of plates: ABS White (RAL 9003) polyglass appearance

ABS painted Aluminium varnished glittery

ABS Painted Matt Black satin finish RAL 9017

Material of subplates: PC

Self-extinguishing: 650° C/30 s

■ 4.3 Climate characteristics

Storage temperature: -10°C to +70°C

Usage temperature: -5°C to +35°C

5. CLEANING

Surface cleaning with a cloth.

Do not use: acetone, tar remover, trichloroethylene.

Caution: A preliminary test should be carried out if other specific cleaning products are to be used.

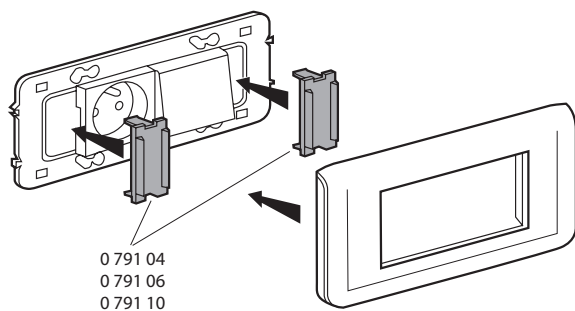
6. SPECIAL USE

Mosaic plates must not be painted.

7. ACCESSORIES

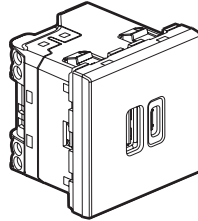
For 4, 6 and 10-module plates, use blanking plates:

| Plates | Blanking plates |
|------------|-----------------|
| 4 modules | 0 791 04 |
| 6 modules | 0 791 06 |
| 10 modules | 0 791 10 |



Mosaic™ USB charger Type-A + Type-C

Cat. No(s): 0 775 70L - 0 792 93L - 0791 93L



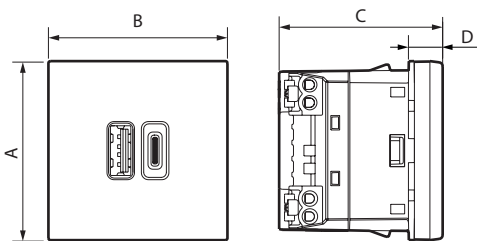
1. USE

Charger with side connection via bistable automatic terminals.
 For recharging portable devices such as phones, smartphones, tablets, MP3 or MP4 players, loudspeakers, watches, game consoles, powerbanks
 Supplied without a cord.

2. RANGE

| 5.0 V $\overline{=}$ - 3.0 A USB charger | White | Alu | Matt Black |
|---|-----------|-----------|------------|
| 1 Mosaic Link USB Type-A + 1 Mosaic Link USB Type-C (1 Type-A output - 1 Type-C output) Can be combined with other Mosaic Link socket outlets using connection accessory Cat. No. 0 771 00L. | 0 775 70L | 0 792 93L | 0 791 93L |

3. DIMENSIONS (mm)



| A | B | C | D |
|----|----|----|-----|
| 45 | 45 | 41 | 8.5 |

4. CONNECTION

Type of terminals: automatic with side connection
 Number of terminals: 2 inputs - 2 outputs
 Terminal capacity: 2 x 2.5 mm²
 Stripping length: 12 mm

5. TECHNICAL CHARACTERISTICS

■ 5.1 Mechanical characteristics

Impact tests: IK 04
 Penetration by solid bodies/liquid: IP 40

■ 5.2 Material characteristics

Base: PC
 Cover-plate: ABS
 White RAL 9003
 Painted glittery varnished aluminium
 Painted satin-finish matt black RAL 9017

Halogen-free
 UV-resistant

Self-extinguishing:
 850°C/30 s for insulating components holding live parts in place.
 650°C/30 s for other insulating components.

■ 5.3 Climate characteristics

Storage temperature: - 20°C to + 70°C
 Usage temperature: + 5°C to + 45°C

■ 5.4 Electrical characteristics

All values listed below are measured at an ambient temperature of + 25° and after 15 minutes of operation.

| | |
|---|-----------------------------------|
| Nominal input voltage | 100-240 V~ |
| Nominal input frequency | 50/60 Hz |
| Power | 15.0 W |
| Maximum input current | 0.5 A |
| Maximum power consumption in standby | 0.075 W |
| Power average efficiency | 80.3% |
| Nominal output voltage | 5.0 V $\overline{=}$ |
| Maximum output current Type-A + Type-C | 3.0 A shared over outputs A and C |
| No-load power consumption class and average efficiency level: | Level VI* |
| Protection class | II - Low voltage |

*NB: EU/2019/1782 October 2019, Directive 2009/125/EC on eco-design requirements for AC/DC power supplies.

Note: To optimize the charging time of your device, make sure it is turned off during the charging phase.

6. CLEANING

Surface cleaning with a cloth.

Do not use: acetone, tar remover, trichlorethylene.

Caution: Always test before using other special cleaning products.

7. ACCESSORIES

0 771 00L: Mosaic Link connection accessory, used to link 2 Mosaic Link socket outlets or 2 socket blocks quickly and easily.

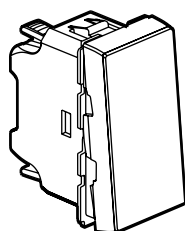
8. STANDARDS AND APPROVALS

Compliant with installation and manufacturing standards.

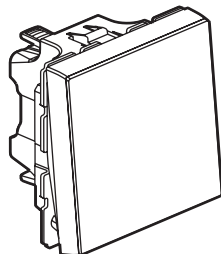
Refer to e-catalogue.

Mosaic™ 10 AX Controls

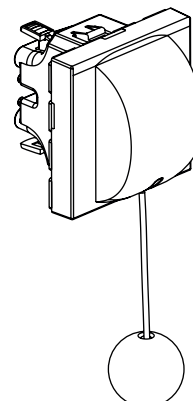
Cat. Nos: 0 770 14/00L/01L/10L/11L/21L
 0 791 01L/11L - 0 792 01L/11L/21L



0 770 01L



0 770 11L



0 770 14

1. USE

Mosaic Easy-Led controls.

A mechanism allows you to create an LED or standard function.

Can become illuminated with plug-in indicator Cat. No. 0 676 86L (230 V) or Cat. No. 0 676 87L (12, 24, 48 V).

Can become indicator with plug-in indicator Cat. No. 0 676 85L (230 V) or Cat. No. 0 676 89L (12, 24, 48 V).

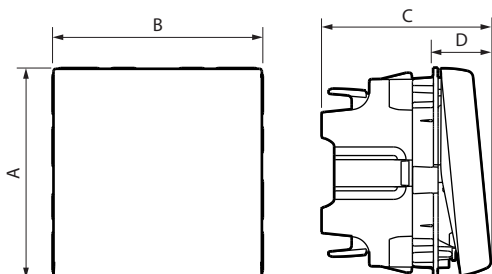
Flush or surface-mounting.

To be fitted with finishing plates.

2. RANGE

| Description | White | Alu | Matt black |
|---|-----------|-----------|------------|
| Our mechanism allows you to create an LED or standard function | | | |
| Mosaic Easy-Led one way switch - 1 module | 0 770 00L | - | - |
| Mosaic Easy-Led two-way switch - 1 module | 0 770 01L | 0 792 01L | 0 791 01L |
| Mosaic Easy-Led one way switch- 2 modules | 0 770 10L | - | - |
| Mosaic Easy-Led two way switch - 2 modules | 0 770 11L | 0 792 11L | 0 791 11L |
| Mosaic Easy-Led Intermediate switch - 2 modules | 0 770 21L | 0 792 21L | - |
| Description | White | | |
| Pull-cord two-way switch - 2 modules Supplied with 1.5 m cord | 0 770 14 | | |

3. DIMENSIONS (mm)



| Cat. Nos. | A | B | C | D |
|---------------------------------------|----|------|------|------|
| 0 770 00L/01L - 0 792 01L - 0 791 01L | 45 | 22.5 | 36.5 | 12.5 |
| 0 770 10L/11L - 0 792 11L - 0 791 11L | 45 | 45 | 36.5 | 12.5 |
| 0 770 21L - 0 792 21L | 45 | 45 | 42.5 | 12.5 |
| 0 770 14 | 45 | 45 | 50.5 | 22 |

4. CONNECTION

Automatic terminals

Terminal capacity: 2 x 2.5 mm²

Stripping length: 12 mm

5. TECHNICAL CHARACTERISTICS

■ 5.1 Mechanical characteristics

Impact tests: IK 04

Penetration by solid/liquid matter: IP 31 D

■ 5.2 Material characteristics

Mechanism casing: PC

Catch pin: PC

Rocker plates:

White RAL 9003 ABS + opalescent white PC

Painted glittery varnished aluminium ABS + opalescent grey PC

Painted satin-finish matt black RAL 9017 ABS + transparent smoked black PC

Halogen-free

UV-resistant

Self-extinguishing:

850°C/30 s for insulating components holding live parts in place.

650°C/30 s for other insulating components.

■ 5.3 Electrical characteristics

Voltage: 250 V~

Current: 10 AX

Max. power for self-ballasted lamps: 100 W

■ 5.4 Climate characteristics

Storage temperature: -10°C to +70°C

Usage temperature: -5°C to +35°C

6. CARE

Clean the surface with a cloth.

Do not use acetone, tar-removing cleaning agents or trichloroethylene.

Resistant to the following products: Hexane (EN60669-1), methylated spirit, soapy water, diluted ammonia, bleach diluted to 10%, window-cleaning products, pre-impregnated wipes

Caution: Always test before using other special cleaning products.

7. ACCESSORIES

Easy-Led plug-in indicators with white LEDs.
Clip onto the front of the mechanism by removing the rocker plate.

Illuminated lights

| | |
|-----------|---------------------------------------|
| 0 676 86L | 230 V~ - 0.041 W |
| 0 676 87L | 12/24/48 V~ - 0.006 W/0.033 W/0.153 W |

Indicator lights

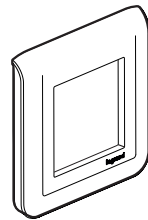
| | |
|-----------|---------------------------------------|
| 0 676 85L | 230 V~ - 0.39 W |
| 0 676 89L | 12/24/48 V~ - 0.006 W/0.033 W/0.153 W |

8. STANDARDS AND APPROVALS

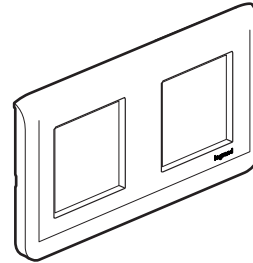
Compliant with installation and manufacturing standards.
See e-catalogue.

Mosaic™
Cover plates

Cat. No(s): 2 778 02L/04L/06L/14L/16L/22L



2 778 02L



2 778 04L

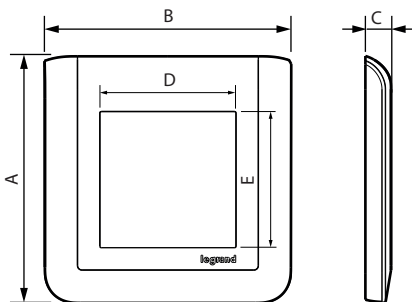
1. USE

Plates for covering mechanisms with 2 to 3 x 2 modules.

2. RANGE

| Description | White |
|----------------------------|-----------|
| 2 modules | 2 778 02L |
| 4 modules - Horizontal | 2 778 14L |
| 6 modules - Horizontal | 2 778 16L |
| 2 x 2 modules - Horizontal | 2 778 04L |
| 2 x 2 modules - Vertical | 2 778 22L |
| 3 x 2 modules - Horizontal | 2 778 06L |

3. DIMENSIONS (mm)



| Cat. Nos | A | B | C | D | E |
|-----------|-----|-----|-----|------|------|
| 2 778 02L | 82 | 82 | 8.5 | 45.5 | 45.5 |
| 2 778 14L | 82 | 153 | 8.5 | 91 | 45.5 |
| 2 778 16L | 82 | 224 | 8.5 | 136 | 45.5 |
| 2 778 04L | 82 | 153 | 8.5 | 45.5 | 45.5 |
| 2 778 06L | 82 | 224 | 8.5 | 45.5 | 45.5 |
| 2 778 22L | 153 | 82 | 8.5 | 45.5 | 45.5 |

4. TECHNICAL CHARACTERISTICS

■ **4.1 Mechanical characteristics**

Impact test: IK 04

■ **4.2 Material characteristics**

Halogen free

UV resistant

Material of plates: ABS White (RAL 9003) polyglass appearance

Material of subplates: PC

Self-extinguishing: 650°C/30 s

■ **4.3 Climatic characteristics**

Storage temperature: - 10°C to + 70°C

Use temperature: - 5°C to + 35°C

5. CLEANING

Surface cleaning with a cloth.

Do not use: acetone, tar remover, trichloroethylene.

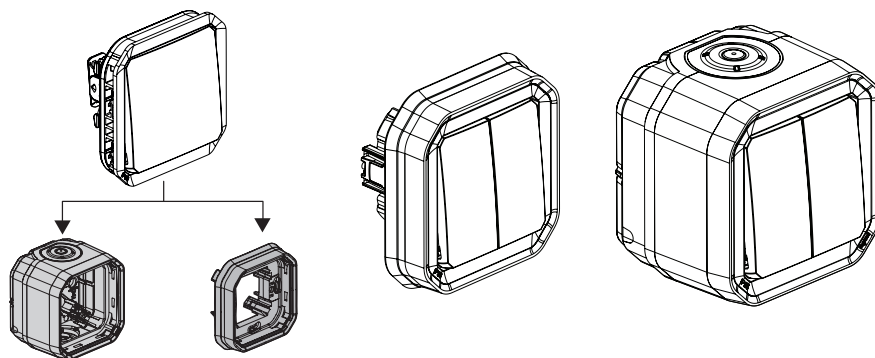
Caution: Always test before using other special cleaning products

6. SPECIAL USE

Mosaic plates must not be painted.

Plexo™
Lighting controls 10 AX

Cat. No(s): 0 695 11L/12L/13L/15L/21L/30L
 0 696 11L/12L/13L/20L/27L
 0 697 11L/12L/13L/14L/16L/21L/26L/36L/51L/61L
 0 698 01L/02L/03L/08L/11L
 0 698 12L/27L/51L/52L/81L



1. USE

Waterproof equipment system intended for residential and professional technical locations (garages, cellars, car parks, workshops and industrial kitchens, etc.) as well as outdoor environments (terraces, gardens, campsites, etc.).

Lighting control mechanisms with or without identification elements (indicators) or signaling elements (markings).

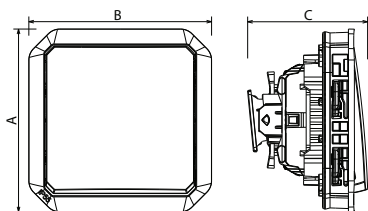
All illuminated and indicator products are delivered with their lamps to be wired.

2. RANGE

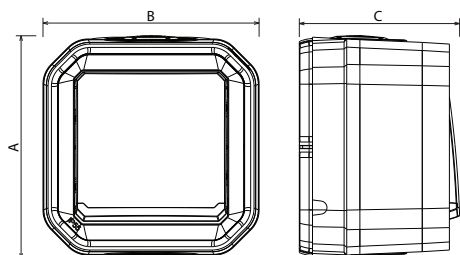
| | | References |
|---------------------------|--|--|
| Configurable | | 0 696 11L/12L/13L/20L/27L 0 698 01L/02L/03L/08L/27L |
| Surface-mounting complete | | 0 697 11L/12L/13L/14L/16L/21L/26L/36L/51L/61L |
| Flush-mounting complete | | 0 695 11L/12L/13L/15L/21L/30L 0 698 11L/12L/51L/52L/81L |

3. OVERALL DIMENSIONS (mm)

■ Configurable

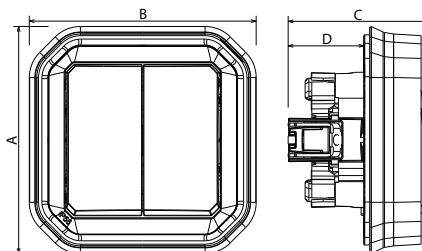


■ Surface-mounting



3. OVERALL DIMENSIONS (mm) (continued)

■ Flush-mounting



| | A | B | C | D |
|------------------|------|------|-------|------|
| Configurable | 70.5 | 70.5 | 46.3 | - |
| Surface-mounting | 84.5 | 82 | 61 | - |
| Flush-mounting | 85.1 | 85.1 | 53.75 | 28.4 |

4. CONNECTION

Type of terminals: automatic

Terminal capacity: 1.5 mm² - 2.5 mm² (1 or 2 conductors)

Stripping length: 12 mm

5. TECHNICAL CHARACTERISTICS

■ 5.1 Protection index

Protection against solid bodies and liquids: IP 55

Protection against impact: IK 08

■ 5.2 Material characteristics

Box, support: PP reinforced

Front plate, rocker: ABS

Entry gland, cover plate: PP + SEBS

Mechanism: PC

UV-resistant

Halogen-free

Resistance to salt spray: 7 days (168 h)

Self-extinguishing:

850°C/30 s for insulating components holding live parts in place.

650°C/30 s for other insulating components.

5. TECHNICAL CHARACTERISTICS *(continued)*

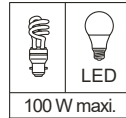
■ 5.3 Electrical characteristics

Voltage: 250 V~

Current: 10 AX

Maximum power on lamps with integrated ballast
(LED lamps and compact fluorescent): 100 W

Frequency: 50 Hz



■ 5.4 Climate characteristics

Usage temperature: - 10° à + 40° C

Storage temperature: - 25° C à + 60° C

6. CLEANING

Surface cleaning with a cloth.

Do not use: acetone, tar remover, trichloroethylene.

Maintenance with the following products: Hexane (EN 60669-1),
Methylated spirit, Soapy water, Diluted ammonia, Bleach diluted to 10%,
Window-cleaning products, Pre-saturated wipes.

Caution: A preliminary test should be carried out if other specific
cleaning products are to be used.

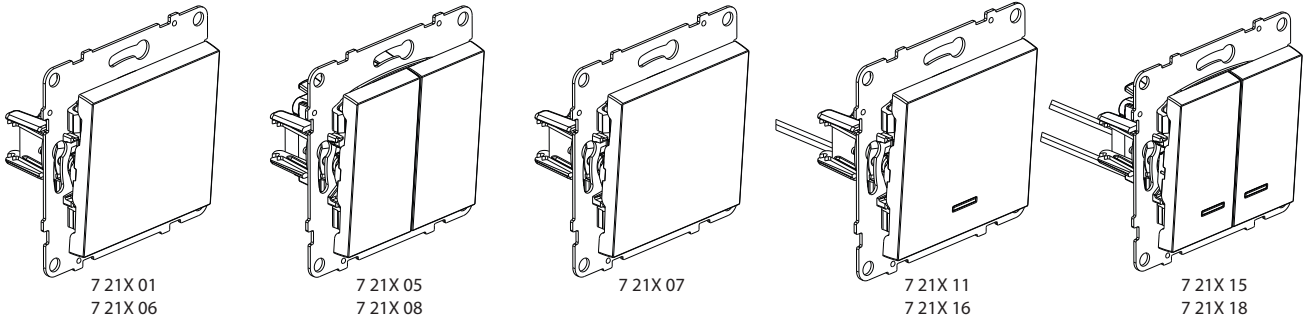
7. STANDARDS AND APPROVALS

Compliance with standards of installation and manufacturing.

Refer to e. catalogue.

Suno™
Lighting controls 10 AX

Cat. No(s): 7 21X 01, 7 21X 05, 7 21X 06, 7 21X 07, 7 21X 08, 7 21X 11, 7 21X 15, 7 21X 16, 7 21X 18



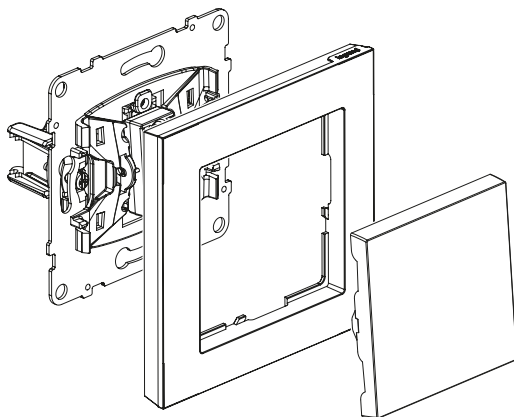
1. USE

Lighting controls mechanism 10 AX - 250 V~.
 Flush-mounting or surface-mounting.
 Screw and/or claw fixing.

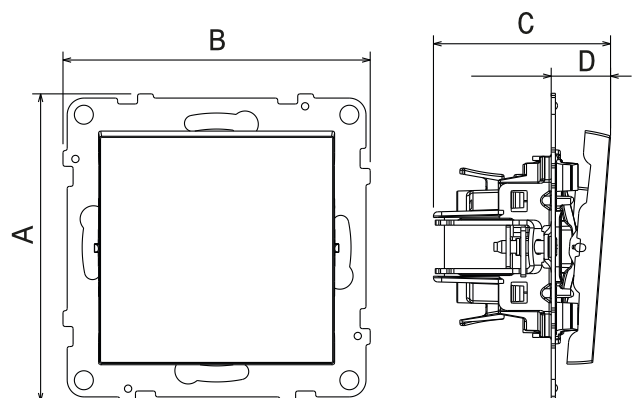
2. RANGE

| 10AX switch with automatic terminal | White | Ivory | Aluminum | Black |
|--|--------------|--------------|-----------------|--------------|
| 1-WAY SWITCH | 7 211 01 | 7 212 01 | 7 213 01 | 7 214 01 |
| 1-WAY 2-GANG SWITCH | 7 211 05 | 7 212 05 | 7 213 05 | 7 214 05 |
| 2-WAY SWITCH | 7 211 06 | 7 212 06 | 7 213 06 | 7 214 06 |
| 2-WAY 2-GANG SWITCH | 7 211 08 | 7 212 08 | 7 213 08 | 7 214 08 |
| 1-WAY SWITCH ILLUMINATED | 7 211 11 | 7 212 11 | 7 213 11 | 7 214 11 |
| 1-WAY 2-GANG SWITCH ILLUMINATED | 7 211 15 | 7 212 15 | 7 213 15 | 7 214 15 |
| 2-WAY SWITCH ILLUMINATED | 7 211 16 | 7 212 16 | 7 213 16 | 7 214 16 |
| 2-WAY 2-GANG SWITCH ILLUMINATED | 7 211 18 | 7 212 18 | 7 213 18 | 7 214 18 |
| 10AX switch with screw terminal | White | Ivory | Aluminum | Black |
| INTERMEDIATE SWITCH | 7 211 07 | 7 212 07 | 7 213 07 | 7 214 07 |

3. DISMANTLING



4. DIMENSIONS (mm)



| References | A | B | C | D |
|-------------------------------|----------|----------|----------|----------|
| 7 21X 01/05/06/08/11/15/16/18 | 72,9 | 72,9 | 40,6 | 12,7 |
| 7 21X 03 | 72,9 | 72,9 | 43 | 15,7 |
| 7 21X 07 | 72,9 | 72,9 | 40,7 | 13,4 |

5. CONNECTION

Flexible or rigid cables compatible.

Type of terminals

- Automatic terminal
- Screw terminal

Tightening torque:

0,8 Nm

Terminal capacity:

2 x 2.5mm²/terminal

Stripping length:

7 21X 01/05/06/08/11/15/16/18: 13mm

7 21X 07: 10mm

Screwdriver:

Posidrive 1, Flat 4mm

6. TECHNICAL CHARACTERISTICS

■ 6.1 Mechanical characteristics

Protection against solid bodies and liquids: IP20

Protection against impact: IK04

■ 6.2 Material characteristics

Polygloss appearance

Colour molded:

- White RAL 9003
- Ivory RAL 1013

Matt colour painted:

- Aluminum RAL 9023
- Black RAL 9017

Material:

- Rocker ABS
- Base: Polycarbonate
- Halogen-free
- UV resistant

Self-extinguishing:

850°C/30 s for installing components holding live parts in place

650°C/30 s for other insulating components

■ 6.3 Electrical characteristics

Voltage: 250 V~

Current: 10 AX

Frequency: 50/60 Hz

Max. power for self-ballasted lamps: 100W

■ 6.4 Climatic characteristics

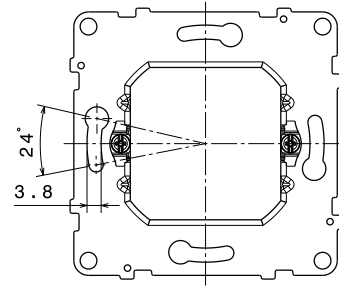
Usage temperature: -5°C to +35°C

Storage temperature: -10°C to +70°C

■ 6.5 Support

Material of support: -Metal

Angular adjusting:

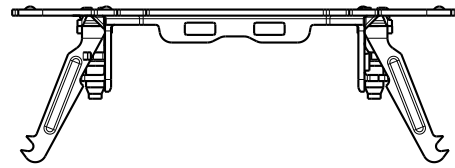


■ 6.6 Fixing with claws

Number of turns to open the claws:

- 58 mm > 2,1 turns

- 65 mm > 2,75 turns



Performance of double teeth claws: extraction resistance

7. MAINTENANCE

Surface cleaning with a cloth.

Do not use:

Acetone, tar remover, trichloroethylene.

Maintenance with the following products:

Hexane (EN 60669-1), Methylated spirit, Soapy water, Diluted ammonia, Bleach diluted to 10%, Window-cleaning products.

Caution: Always test before using other special cleaning products.

8. STANDARDS AND APPROVALS

Compliant with installation and manufacturing standards.

Refer to e. catalogue..

Weatherproof cabinets Plexo

Reference(s) : 6 018 82/84/86/88/92/94



| SOMMAIRE | Page |
|------------------------------------|------|
| 1. Description - Use | 1 |
| 2. Range | 1 |
| 3. Overall dimensions | 1 |
| 4. General characteristics | 2 |
| 5. Conformity and approvals..... | 2 |
| 6. Equipment and accessories | 2 |

1. DESCRIPTION, USE

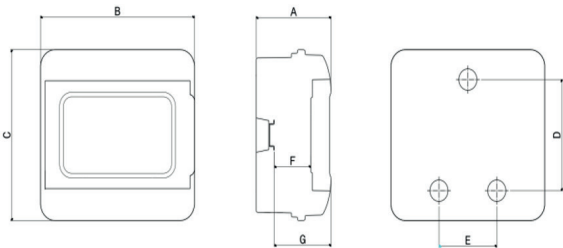
- Weatherproof PLEKO IP65 cabinets from 2 to 2x12 modules :
- Impact-resistant reinforced polystyrene material
 - Spacing between rails : 150 mm
 - Door and cabinet totally reversible
 - Supplied with Earth and Neutral screwed terminal blocks (except 2M without terminal block)
 - Allows to achieve assemblies conform to IEC 61 439-3 Edition 1.0 2012-02
 - Cover screw tightening torque : 2 Nm

2. RANGE

| References | Number of rows | Number of modules |
|------------|----------------|-------------------|
| 6 018 82 | 1 | 2 |
| 6 018 84 | 1 | 2 (+2) |
| 6 018 86 | 1 | 4 (+2) |
| 6 018 88 | 1 | 6 (+2) |
| 6 018 92 | 1 | 8 (+4) |
| 6 018 94 | 2 | 16 (+8) |

(+*) number of cutting modules

3. OVERALL DIMENSIONS



| References | Dimensions (mm) | | | | |
|------------|-----------------|-----|-----|-----|-----|
| | A | B | C | D | E |
| 6 018 82 | 106 | 75 | 170 | 100 | - |
| 6 018 84 | 106 | 141 | 200 | 130 | - |
| 6 018 86 | 106 | 177 | 200 | 130 | - |
| 6 018 88 | 106 | 213 | 200 | 130 | 80 |
| 6 018 92 | 106 | 285 | 200 | 130 | 150 |
| 6 018 94 | 106 | 285 | 350 | 280 | 150 |

4. GENERAL CHARACTERISTICS

4.1 Technical characteristics

- Box colour : light grey RAL 7035
- Cover colour : dark grey RAL 7046
- Door colour : transparent blue
- Protection rating : IP65 – IK07
- Self-extinguishing : 650°C
- Dual class II insulation
- Rated operating voltage : 400 V AC – 50/60 Hz
- Rated insulation voltage : 400 V AC – 50/60 Hz
- Short-circuit current: 6 kA
- Storage temperature : -15°C à +40°C (+70°C / 24H)
- Installation temperature (classification 7.5.1) : -5°C à +40°C
- Operating temperature : -5°C à +40°C
- Max. permitted current, max dissipated power and permissible loads :

| References | Max permitted current | Max dissipated power | Permissible loads by rows |
|------------|-----------------------|----------------------|---------------------------|
| 6 018 82 | 25 A | 5 W | 6 N |
| 6 018 84 | 32 A | 7 W | 13 N |
| 6 018 86 | 32 A | 10 W | 20 N |
| 6 018 88 | 32 A | 13 W | 27 N |
| 6 018 92 | 63 A | 19 W | 40 N |
| 6 018 94 | 63 A | 24 W | 40 N |

4.2 Materials

- Box, cover : impact reinforced polystyrene
- Door : transparent polycarbonate
- Cover/box screws : stainless steel
- Other screw : zinc-coated steel
- Rails : galvanised steel
- Terminal block support : polycarbonate
- Terminal block : brass

4. GENERAL CHARACTERISTICS (suite)

4.3 Number of precut on each face

| References | Number of precut on the top | | Number of precut on the bottom | |
|------------|-----------------------------|-----|--------------------------------|-----|
| | Ø20 | Ø25 | Ø20 | Ø25 |
| | mm | mm | mm | mm |
| 6 018 82 | - | 1 | - | 1 |
| 6 018 84 | 2 | 1 | 2 | 1 |
| 6 018 86 | 2 | 2 | 2 | 2 |
| 6 018 88 | 3 | 2 | 3 | 2 |
| 6 018 92 | 5 | 2 | 5 | 2 |
| 6 018 94 | 5 | 2 | 5 | 2 |

4.4 Terminal blocks capacity and number of blanking plates

| References | Screwed terminal blocks supplied | | | | Cutting blanking plates |
|------------|----------------------------------|--------------------------|--------------------------|--------------------------|-------------------------|
| | Earth | | Neutral | | |
| | 1,5 - 10 mm ² | 1,5 - 16 mm ² | 1,5 - 10 mm ² | 1,5 - 16 mm ² | |
| 6 018 82 | - | - | - | - | - |
| 6 018 84 | 2 | 2 | 2 | 2 | 2 |
| 6 018 86 | 3 | 3 | 3 | 3 | 2 |
| 6 018 88 | 3 | 3 | 3 | 3 | 2 |
| 6 018 92 | 5 | 5 | 5 | 5 | 4 |
| 6 018 94 | 12 | 12 | 12 | 12 | 8 |

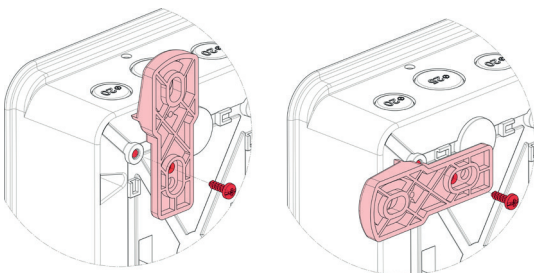
5. COMPLIANCE AND APPROVALS

- IEC 60 670-24 Edition 2.0 2011-03 (GP and PD enclosures)
- IEC 60 695-2-11 Edition February 2014 (fire resistance)
- IEC 62 262 Edition February 2002 (impact resistance)
- RoHS
- WEEE
- REACH

6. EQUIPMENT AND ACCESSORIES

6.1 Set of four wall mounting lugs

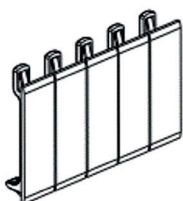
Reference 0 019 69



6.2 Blanking plate

Reference 0 019 61

Set of five, separable into modules or half-modules, dark grey RAL 7046



6.3 Direct perforation entry glands

These entry glands maintain the cabinet's IP65 and IK07 ratings

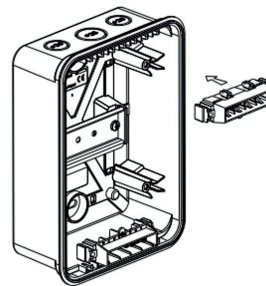
| References | Supplied with entry glands | | |
|------------|----------------------------|--------|-----------------------|
| | Ø20 mm | Ø25 mm | Ø32 mm ⁽¹⁾ |
| 0 019 56 | 100 | - | - |
| 0 019 57 | - | 100 | - |

(1) do not comply with Plexo

6.4 Additional terminal blocks

Additional terminal blocks can be mounted at the top and bottom of cabinets in the designated areas.

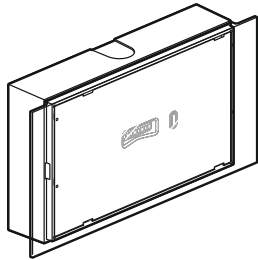
| References | Brass terminal block with isolated support | |
|------------|--|-------------------|
| | Earth | Earth + Neutral |
| 6 018 82 | - | - |
| 6 018 84 | 1 348 00 | 1 348 10 |
| 6 018 86 | 1 348 01/18 | 1 348 11/24 |
| 6 018 88 | 1 348 01/18 | 1 348 11/24 |
| 6 018 92 | 1 348 01/02/18/19 | 1 348 11/12/24/25 |
| 6 018 94 | 1 348 01/02/18/19 | 1 348 11/12/24/25 |



6.5 Plastic cable glands

- 0 968 03 : Plastic cable glands Ø20 grey IP55
- 0 968 05 : Plastic cable glands Ø25 grey IP55

| References | Number of cable glands can be added on top side | | Number of cable glands can be added on bottom side | |
|------------|---|----------|--|----------|
| | 0 968 03 | 0 968 05 | 0 968 03 | 0 968 05 |
| | Ø20 | Ø25 | Ø20 | Ø25 |
| | mm | mm | mm | mm |
| 6 018 82 | - | 1 | - | 1 |
| 6 018 84 | 2 | 1 | 2 | 1 |
| 6 018 86 | 2 | 2 | 2 | 2 |
| 6 018 88 | 3 | 2 | 3 | 2 |
| 6 018 92 | 5 | 2 | 5 | 2 |
| 6 018 94 | 5 | 2 | 5 | 2 |




230 V standard

CONTENTS

Page

| | |
|------------------------------------|---|
| 1. Description | 1 |
| 2. Installation | 2 |
| 3. Operation | 3 |
| 4. Connection | 3 |
| 5. Maintenance | 4 |
| 6. Compliance and approvals..... | 5 |
| 7. Equipment and accessories | 5 |

1. DESCRIPTION

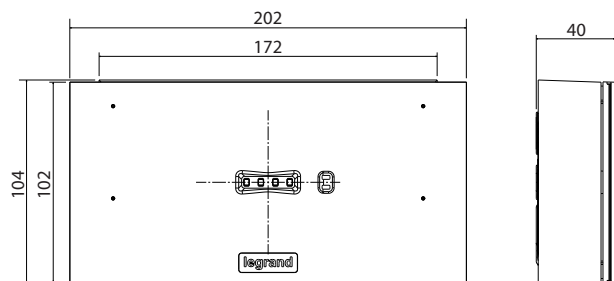
IP 42 - IK 07 emergency lighting luminaires with LEDs
Class II: 

| Cat. No. | Flux/ standby power | Mode | M pwr cons. (W) | NM pwr cons. (W) | Batteries | No. of LEDs |
|-----------|---------------------------|------|-----------------------|------------------------|-----------|----------------|
| 6 600 51 | 70 lm/1 hr | NM | - | 1.45 | Ni-Cd | 2 |
| 6 600 52 | 100 lm/1 hr | NM | - | 1.45 | Ni-Cd | 2 |
| 6 600 53* | 100 lm/1 hr | NM | - | 1.45 | Ni-Cd | 2 |
| 6 600 54 | 200 lm/1 hr | NM | - | 2.2 | Ni-Cd | 4 |
| 6 600 57 | 200 lm/2 hrs | NM | - | 0.4 | Ni-MH | 6 |
| 6 600 59 | 100 lm/3 hrs | NM | - | 1.9 | Ni-Cd | 4 |
| 6 600 60* | 100 lm/3 hrs | NM | - | 1.9 | Ni-Cd | 4 |
| 6 600 72 | 100 lm/1 hr | M/NM | 2.2 | 0.8 | Ni-Cd | 4 |
| 6 600 74 | 200 lm/1 hr | M/NM | 2.4 | 1 | Ni-Cd | 4 |
| 6 600 75 | 350 lm/1 hr | M/NM | 1.9 | 0.4 | Ni-MH | 8 |
| 6 600 77 | 200 lm/2 hrs | M/NM | 1.9 | 0.4 | Ni-MH | 6 |
| 6 600 79 | 100 lm/3 hrs | M/NM | 2.5 | 1 | Ni-Cd | 4 |
| 6 600 80* | 100 lm/3 hrs | M/NM | 2.5 | 1 | Ni-Cd | 4 |


* products supplied with label

1. DESCRIPTION (CONTINUED)

• Dimensions



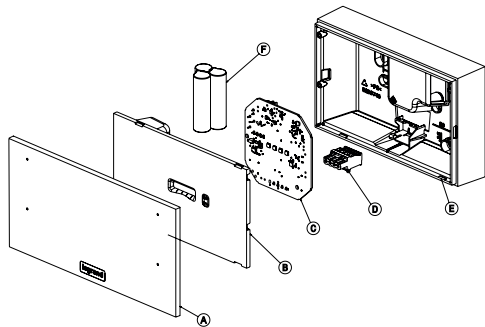
• Technical characteristics

Power supply: 230 V~ - 50/60 Hz
Equipped with screw terminals 2.5 mm² max. (draw-out connector).
Class II: 
Operating temperature: 0°C to +40°C
Connection to remote control 0 039 00/01 for setting to rest mode during intentional mains power breaks.
Remote control input terminals protected against connection errors.

Conforming to standards: UNE EN 60598-2-22: 2014 + AMD: 2020
Awarded ENEC EN 60 598 2-22 quality mark and AENOR quality mark
(Made in Spain only).
Product for surface mounting on walls or ceilings and flush mounting in ceilings with accessory 6 601 95/95BK.

1. DESCRIPTION (CONTINUED)

• **Materials**

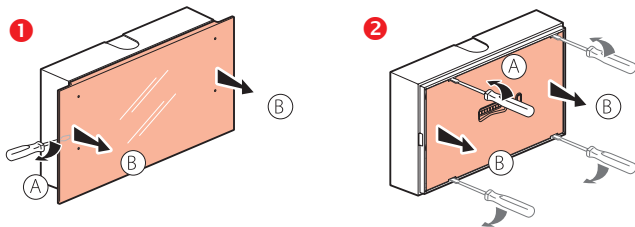


- (A) Diffuser: opal polycarbonate, self-extinguishing 850° 30 s
- (B) Reflector: white polycarbonate, self-extinguishing 850° 30 s
- (C) Circuit board
- (D) Power supply and remote control connector
- (E) Base: white polycarbonate, self-extinguishing 850° 30 s
- (F) Battery pack

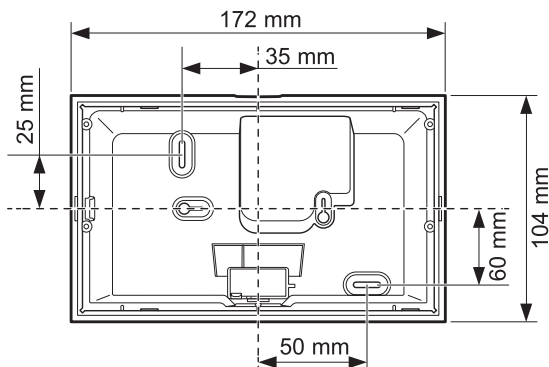
All plastic parts weighing more than 50 g are marked with their material type so that the materials can be recycled at the product's end of life.

2. INSTALLATION

• **Opening the unit**

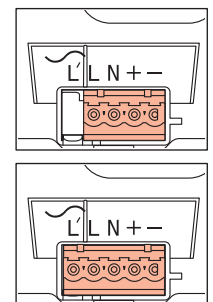
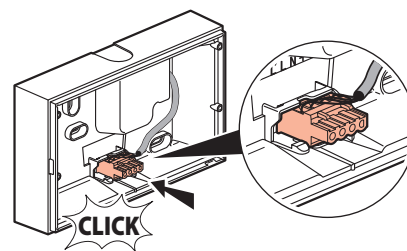
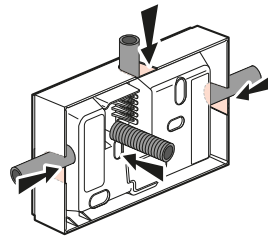
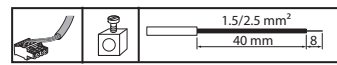


• **Fixing the base**



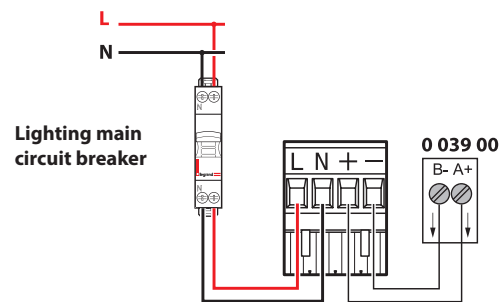
2. INSTALLATION (CONTINUED)

• **Wiring**

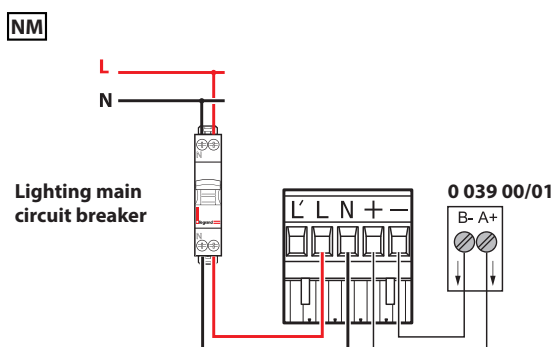


TELEC - Connection terminals: direction of connection with Legrand remote control Cat. No. 0 039 00/01 must be complied with.
 Terminal capacity: 2.5 mm² max

• **Wiring up NM products**

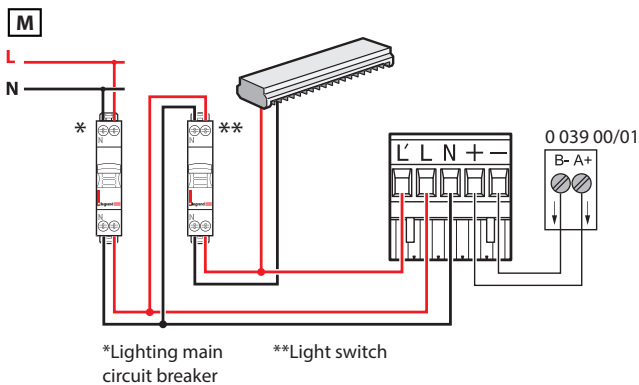


• **Wiring up M-NM products**



2. INSTALLATION (CONTINUED)

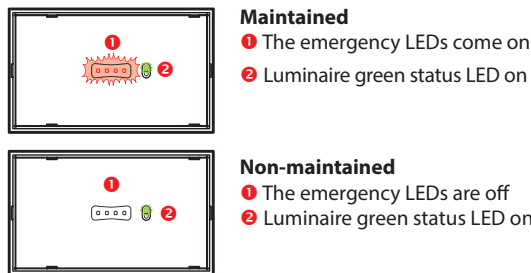
• Wiring up M-NM products (continued)



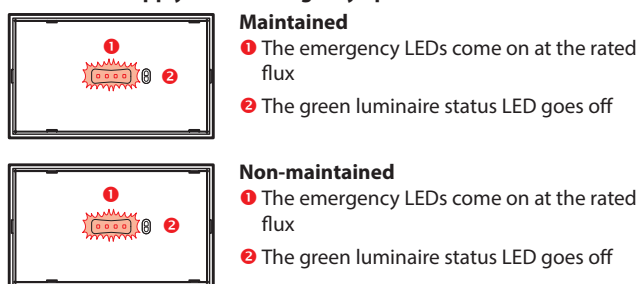
Note: Although self-contained emergency lighting units do not consume much power, you must check that the line dedicated to these lighting units can deliver the necessary current. You will find below the current the line needs to withstand for 100 installed lighting units according to the catalogue number (for simplicity, we have assumed just one type of lighting unit is installed per line):
100 x 6 600 54/59/60 current = 7 A; 100 x 6 600 51/52/53 current = 5 A;
100 x 6 600 24/72/74/75/77/79/80 current = 1 A

3. OPERATION

■ 3.1 Switch-on/standby state



■ 3.2 Mains supply break/emergency operation



■ 3.3 Setting to rest state via the remote control Cat. No. 0 039 00/01

After the lighting is switched off intentionally:

Pressing the button sets the luminaire to rest state to prevent the battery discharging.

Lighting switched back on:

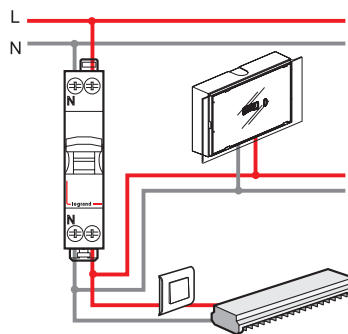
The luminaire automatically returns to standby in its initial operating mode.

■ 3.4 Testing emergency lighting luminaires

They can be tested by disconnecting the main power supply:
- they are working correctly if the emergency LEDs come on.
- the rated standby power is correct if the emergency LEDs stay on for the whole of the rated standby power time.

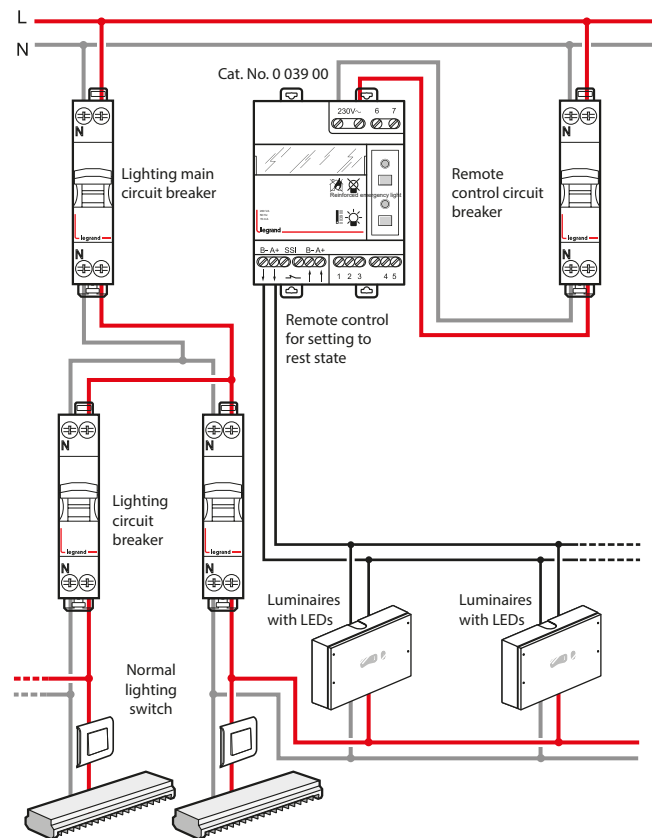
4. CONNECTION

■ 4.1 Connection of emergency lighting luminaires to the mains power



The branch can be joined in the electric cabinet, on the switch or in a junction box. The rules concerning the power supply are the same for emergency lighting as for any other type of luminaire.

■ 4.2 Connecting the remote control



Note:

If performing a mains power present test (press the ALL button on remote control 0 039 00), catalogue numbers 6 600 51/52/53/54/72/74 will follow the remote control commands: 1 s ON/4 s OFF/1 s ON; no need to press the EXT button to reset them to standby state. If nothing happens, check the polarity of the remote control. For the other catalogue numbers in this technical data sheet, the EXT button needs to be pressed to reset them to standby state. In the event of interference on the remote control line or unwanted switching on of the self-contained emergency lighting units: add a 1 kohm resistor between the A+ and B- terminals on remote control 0 039 00 (this resistor is supplied with the remote control).

5. MAINTENANCE

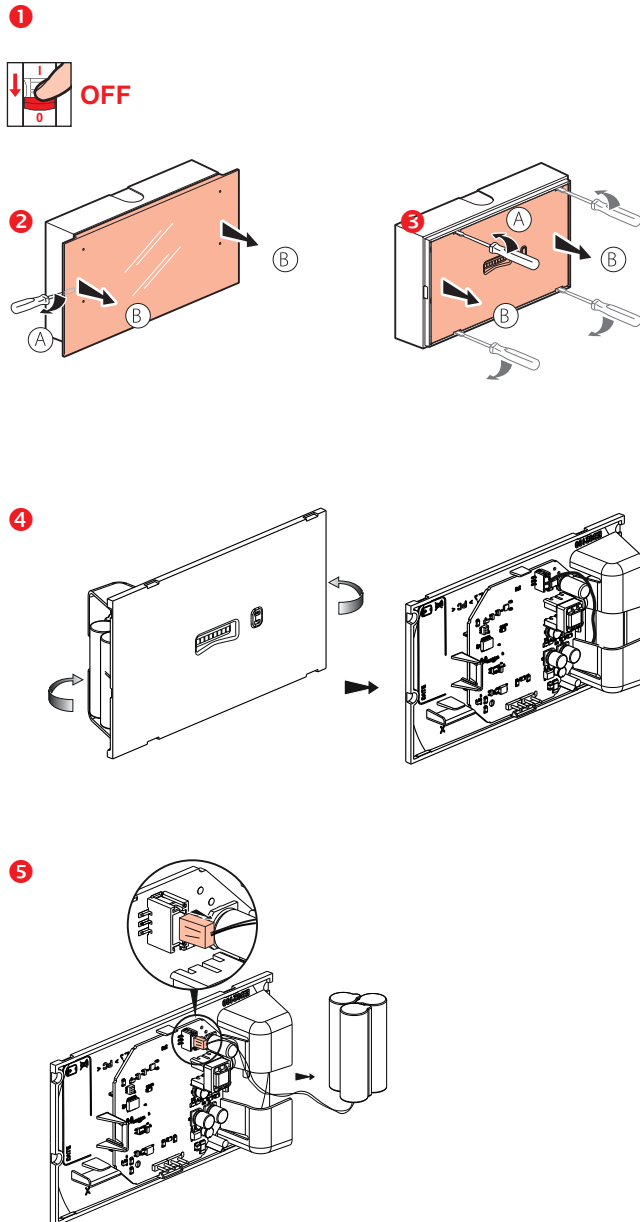
■ 5.1 Spare parts

| Luminaire Cat. No. | Battery | Spare battery Cat. No. |
|-------------------------|--------------------|------------------------|
| 6 600 51/52/53/72 | 3.6 V 0.7 Ah Ni-Cd | 6 601 80 |
| 6 600 54/59/60/74/79/80 | 3.6 V 1.1 Ah Ni-Cd | 6 601 81 |
| 6 600 57/75/77 | 3.6 V 1.5 Ah Ni-MH | 6 601 84 |

■ 5.2 Replacing the batteries

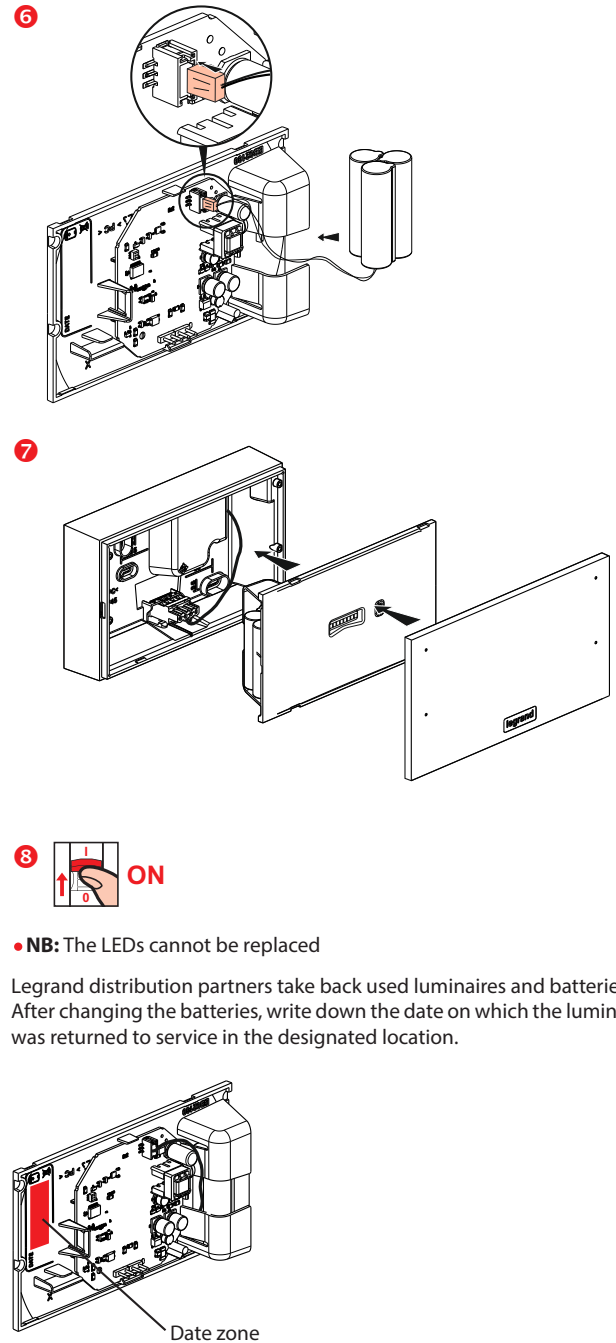
The batteries must be replaced when the self-contained luminaire can no longer stay on for its rated operating time.

Caution: The product must be switched off before dismantling.



5. MAINTENANCE (CONTINUED)

■ 5.2 Replacing the batteries (continued)



5. MAINTENANCE (CONTINUED)

■ **5.3 Troubleshooting**

All the LEDs are off:



Check whether at least one of these faults is present:

- The battery is disconnected
- The battery has a voltage fault
- The charger and/or the electronics have a fault
- The light source has a fault

Recommendations:

For catalogue numbers with Ni-Cd batteries, we recommend completely discharging the self-contained emergency lighting units by manually disconnecting the power supply every 3 months in order to optimise the performance of the self-contained units.

6. COMPLIANCE AND APPROVALS

EN 60598-2-22: 2014 + AMD: 2020: European standard "Luminaires: specific rules. Luminaires for emergency lighting"
 EN 60598-1 2015 + A1 2018: European standard "Luminaires".
 EN 50172: European standard "Emergency lighting systems"
 EN 1838: European standard "Lighting applications – Emergency lighting"
 Products certified with the AENOR N mark (Made in Spain only).

Electromagnetic effects: EMC

Emission

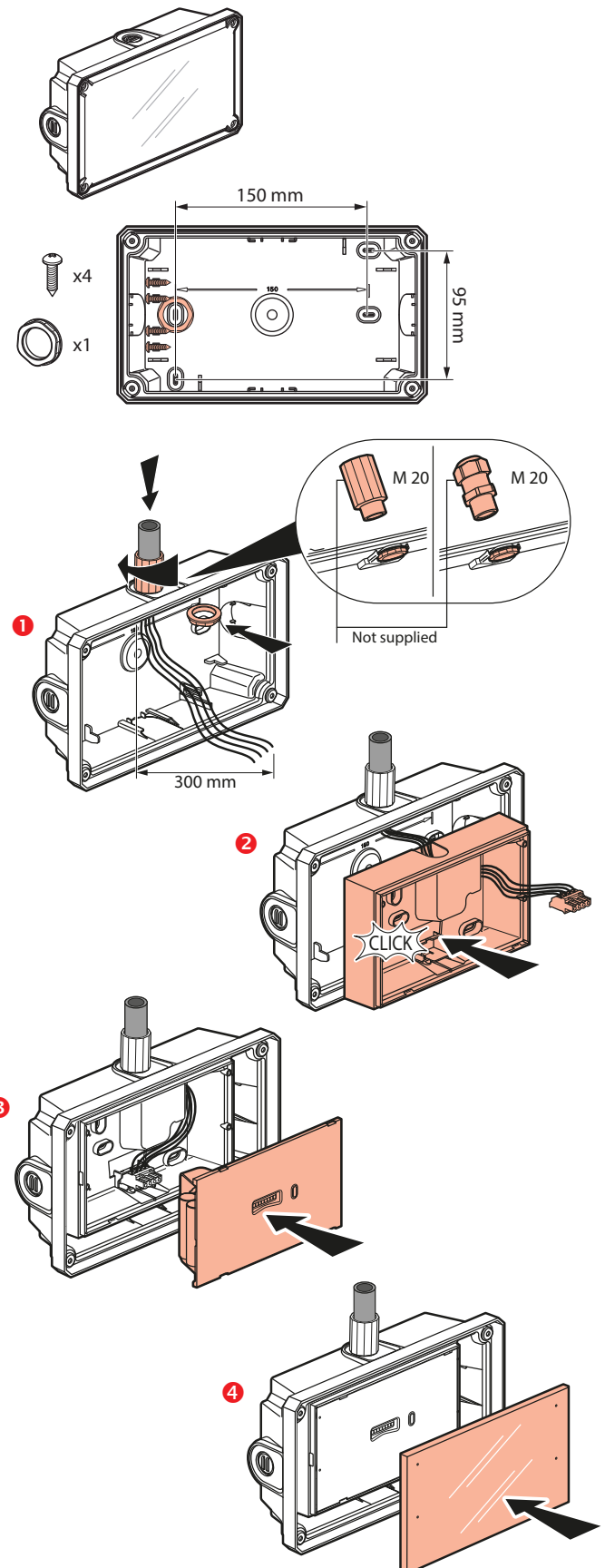
- EN 55015 (disturbance voltages)
- EN 61000-3-2 (harmonic measurements) class C
- EN 55022 (radiated interference) class B

Immunity

- EN 61000-4-2 (electrostatic discharges)
- EN 61000-4-3 (radiated fields)
- EN 61000-4-4 (fast transients/bursts)
- EN 61000-4-5 (lightning impulses)
- EN 61000-4-6 (radiated fields)
- EN 61000-4-8 (magnetic fields)
- EN 61000-4-11 (voltage dips and short interruptions)

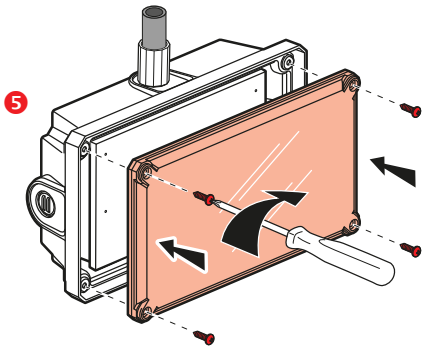
7. EQUIPMENT AND ACCESSORIES (CONTINUED)

IP 66/IK 10 weatherproof box, 6 601 91

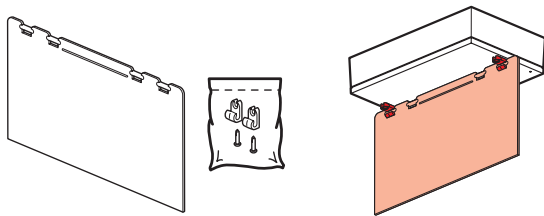


7. EQUIPMENT AND ACCESSORIES (CONTINUED)

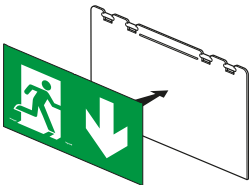
IP 66/IK 10 weatherproof box, 6 601 91 (continued)



Vertical sign plate Cat. No. 6 601 93



Legend stickers (not supplied):

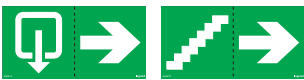


- Conforming to standard EN ISO 7010:



6 616 70

- Other available solutions:



6 616 71

6 616 72



6 616 80

6 616 82

6 616 83

6 616 85



6 616 88

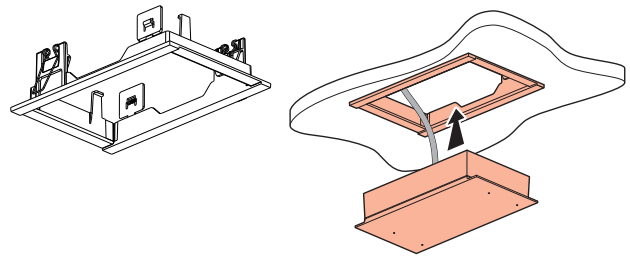
6 616 89

6 616 90

6 616 91

7. EQUIPMENT AND ACCESSORIES (CONTINUED)

Flush-mounting box Cat. No. 6 601 95 - 6 601 95BK



Adaptor for replacing U21 units, 6 601 92

